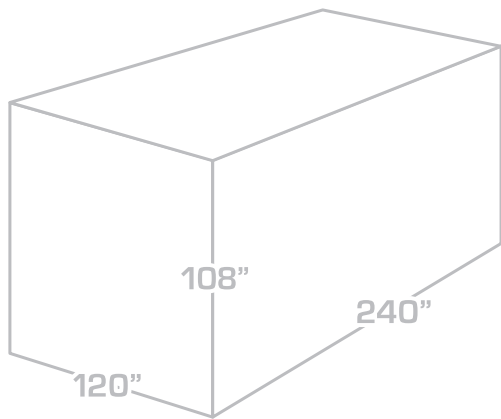
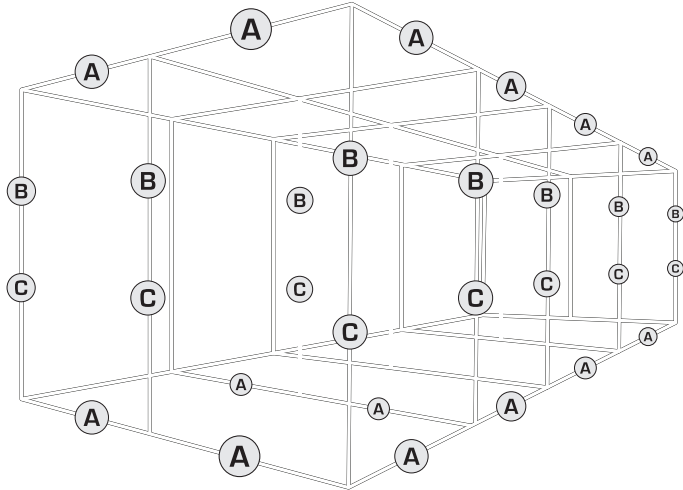




SILVERBACK

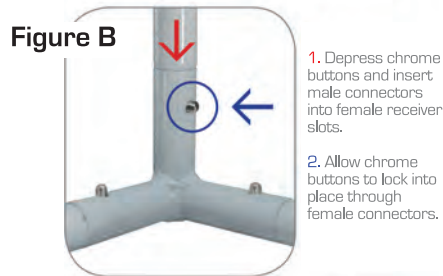
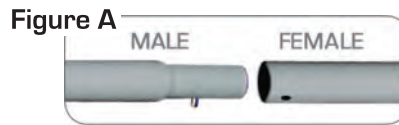
10x20 by AgroMax



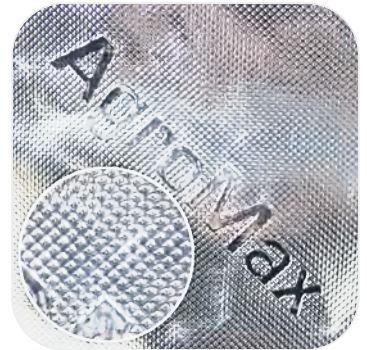
The **Silverback grow tent** is AgroMax's most innovative grow tent yet. With an innovative "diamond pattern" reflective liner for **ULTIMATE** light spread, ultra-high ceilings, a green tent skin, and custom leaf zippers, this tent sets the bar for grow tents.

Please Note:

- B & C poles interlock together as shown below (Fig. A)
- Metal corners should be attached as shown below (Fig. B)
- Port covers attach over the three lower access ports and has three options: Fully Cover, Mesh Vent Cover, and Off.
- Please be patient and gentle while pulling the tent skin over the frame to avoid tearing any seams



NEW AgroMax LINER PATTERN



MORE FEATURES



Assemble the frame within the Tent Floor Skin (O). Start by forming your outer frame and work your way in.



Continue building the tent frame from the ground up. It is recommended to build one 5-foot section and then build off of that one until the frame is complete.



Drape the roof skin (N) over the top of the frame. This may require 2-3 people for ease. Carefully pull the Roof over the frame corners to avoid any tearing seams.



Zip the wall (K) to the top and bottom of the skin and insert floor liner (M). Your tent is now ready for lighting, ventilation, and plants!