

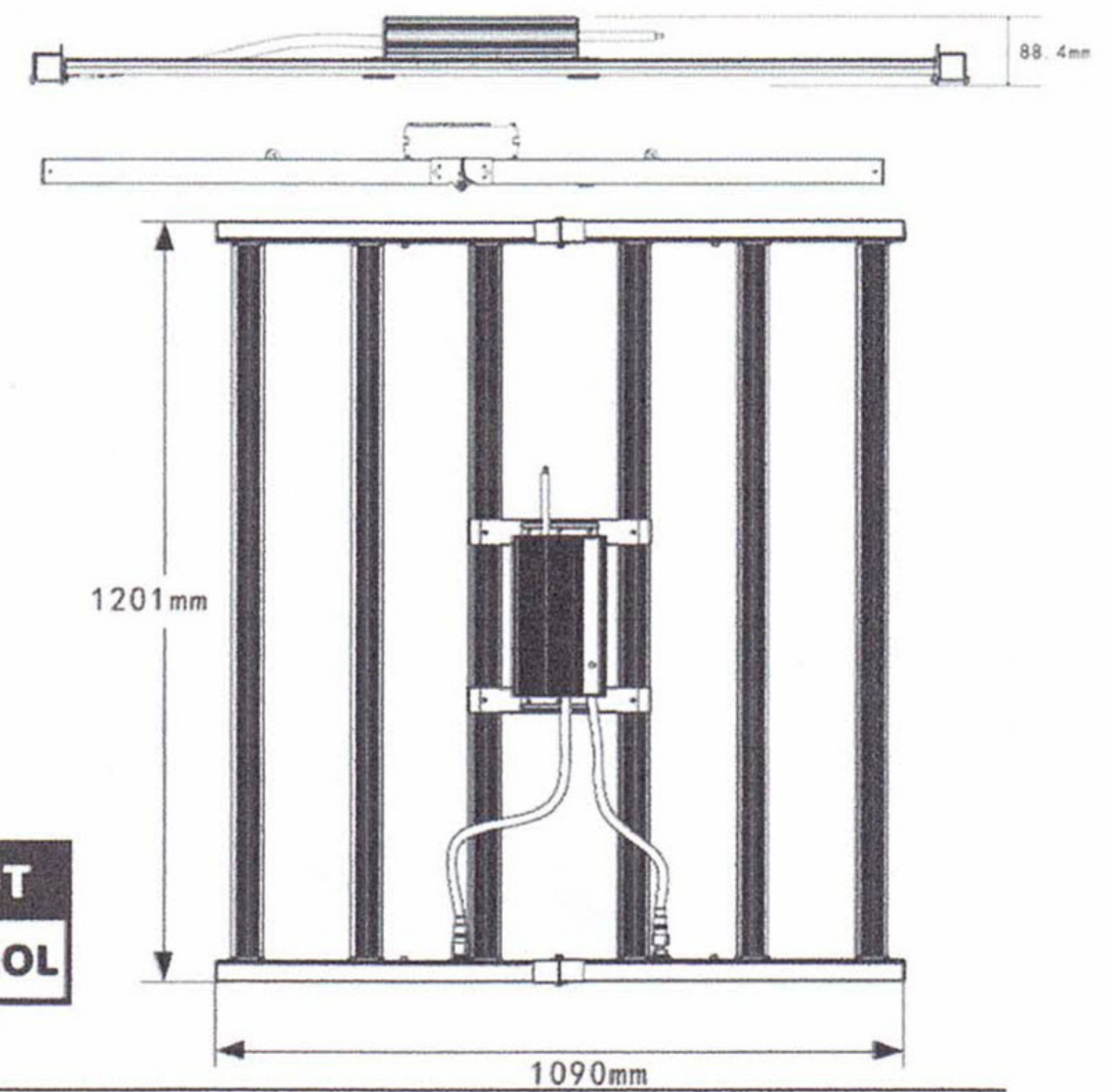
Installation sheet: Thank you for purchasing the GrowBright OptiMol630 Full Spectrum LED Grow Light! Please read over this sheet prior to installation. Visit www.growbright.com for more info.

FEATURES:

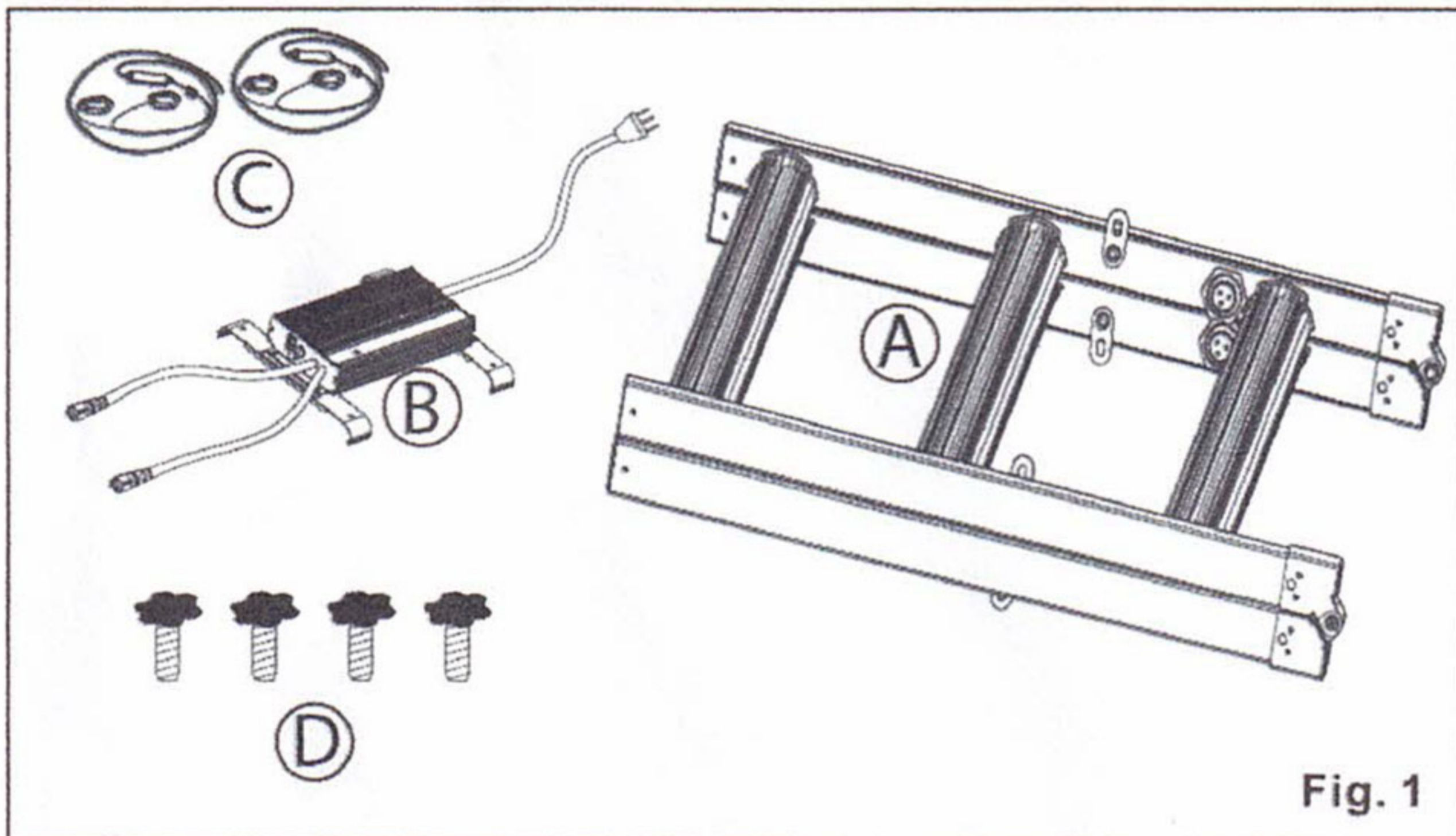
- FULL SPECTRUM featuring added red wavelengths for optimal (Optimol!) plant growth!
- Premium Samsung LED Chips
- Low Profile, Large Lighting Footprint! Measures 47.5" L x 43" W x 3" height
- On-Board and optional Remote Dimming Capable for customizable light output
- Water Resistant IP65 Rating featuring a Conformal Coating to withstand moist grow room conditions
- 2.4 meter 120v power cord
- Heavy Duty 2 piece wire hangers included
- ETL Listed for Safety
- 3 Year warranty

VOLTS	WATTS	OUTPUT
120-277V	630	1575+ μMOL

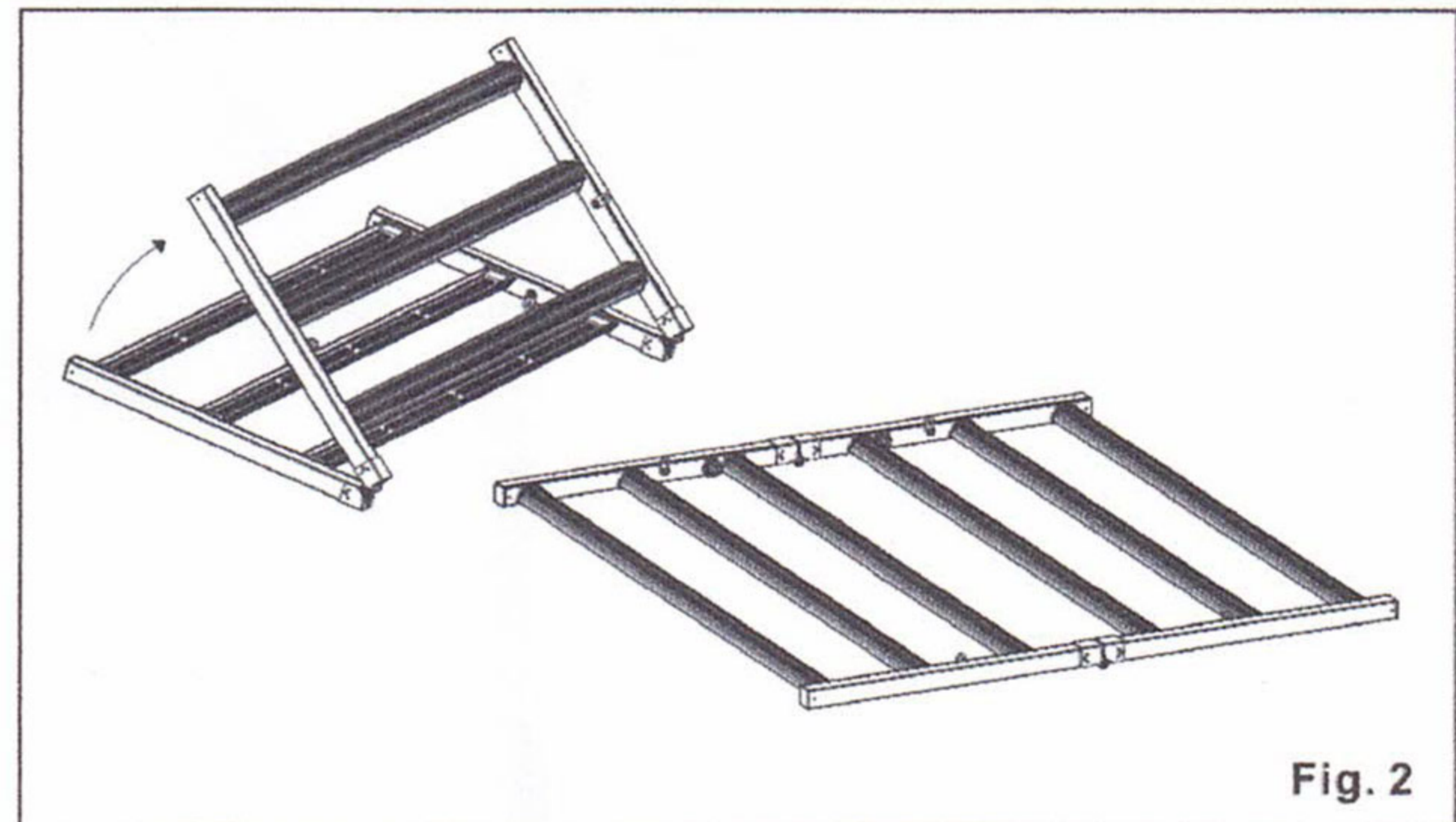
DIMENSIONS:



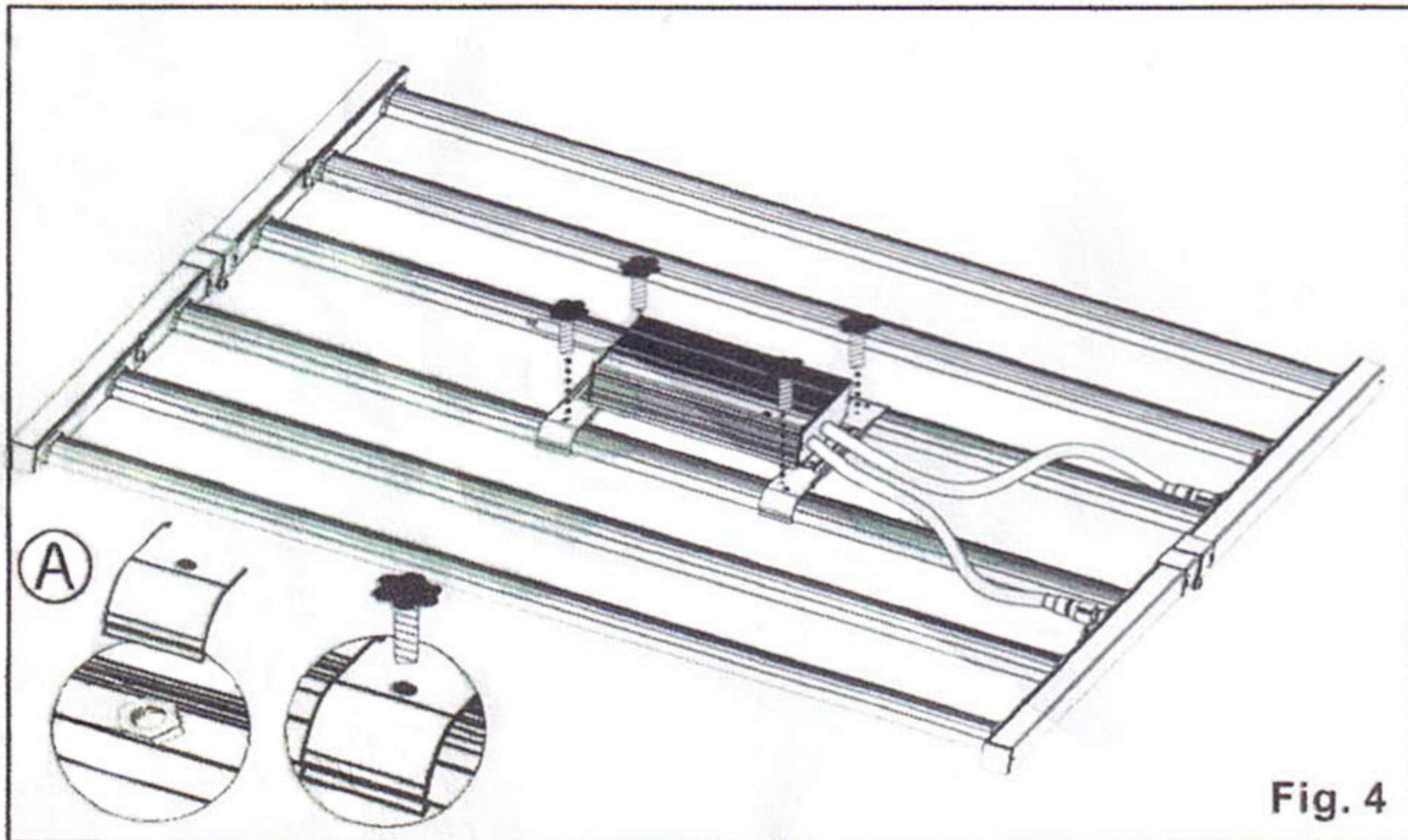
INSTALLATION:



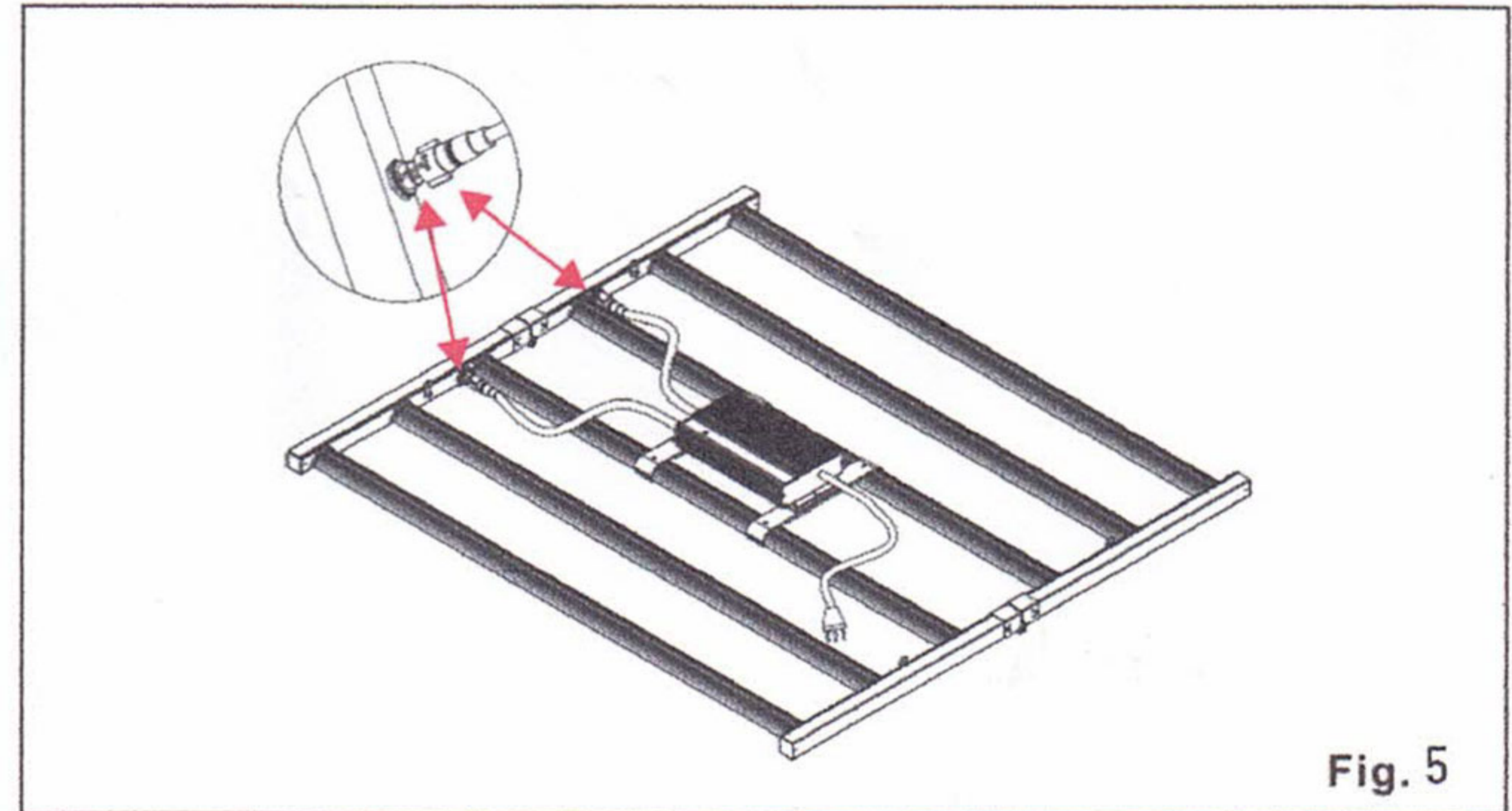
Step 1: Inventory parts: 1 (A) Optimol LED Fixture, 1 (B) LED Driver, 2 pcs (C) Hanging Cables, 4 pcs (D) Driver Bolts (Fig. 1)



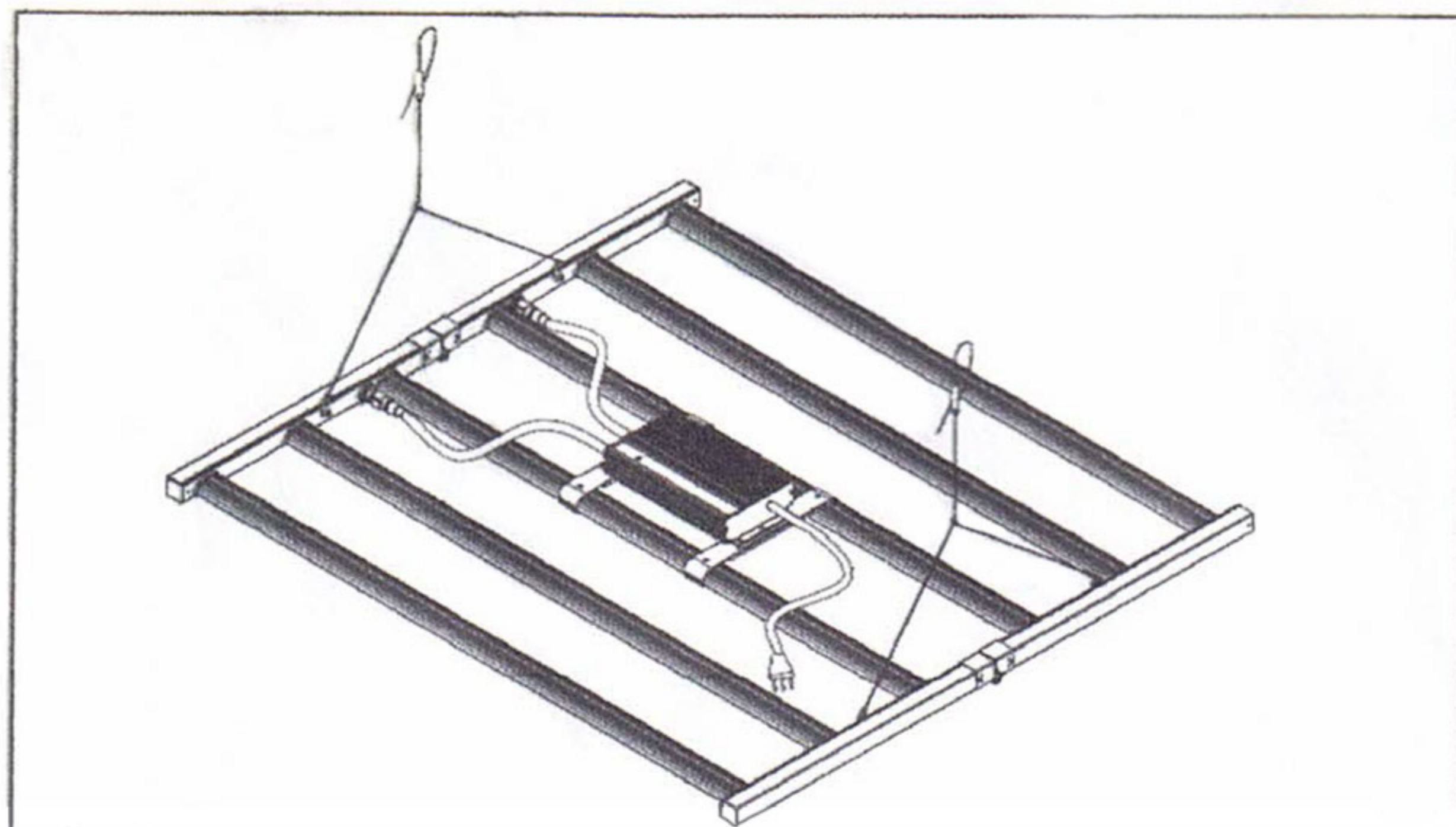
Step 2: Place Optimol LED Fixture on firm surface and unfold. (Fig. 2)



Step 3: Align nuts in LED bar channel to LED Driver bracket (A) and use Driver Bolts to attach driver to LED bar channels (Fig 4)



Step 4: Attach LED Driver cords to Optimol LED fixture receptacles. (Fig. 5)



WARNING:

- To prevent eye damage avoid looking directly at illuminated LEDs
- LED bars and heat sink may be hot. Allow sufficient cooling before handling
- Avoid overheating, do not operate fixture face down on flush surface
- Allow adequate air circulation and ventilation to keep fixture cool
- Avoid touching the diodes with your hands even if powered off
- Be careful if cleaning diode surface area as doing so may scratch the diode array or compromise the silicon seal or dislodge diodes entirely.