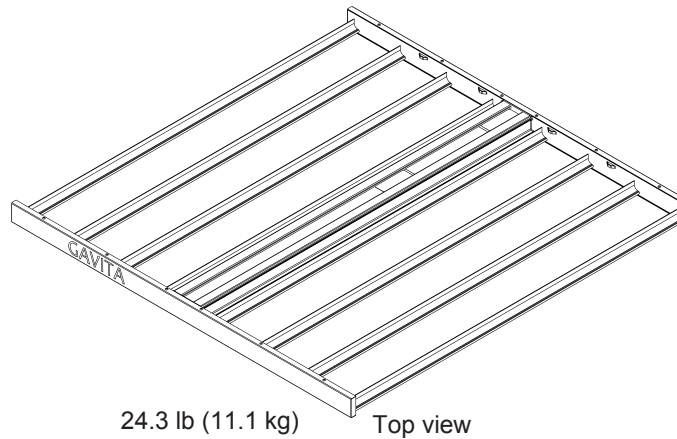
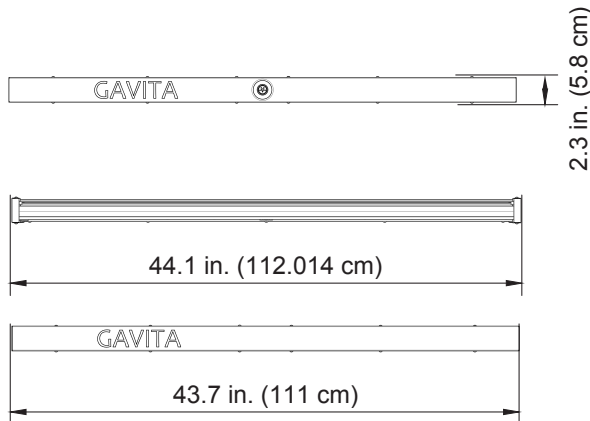
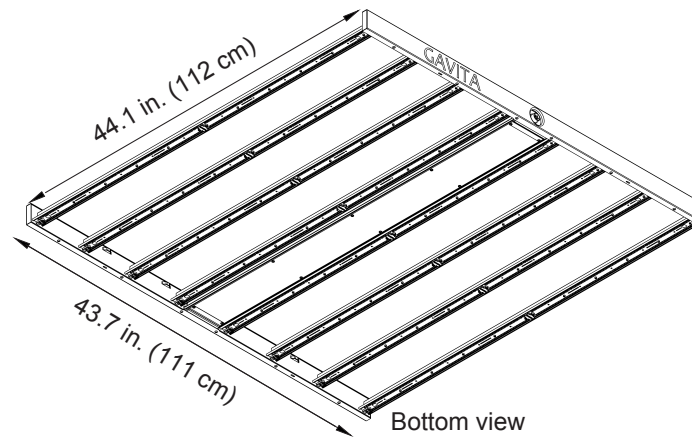
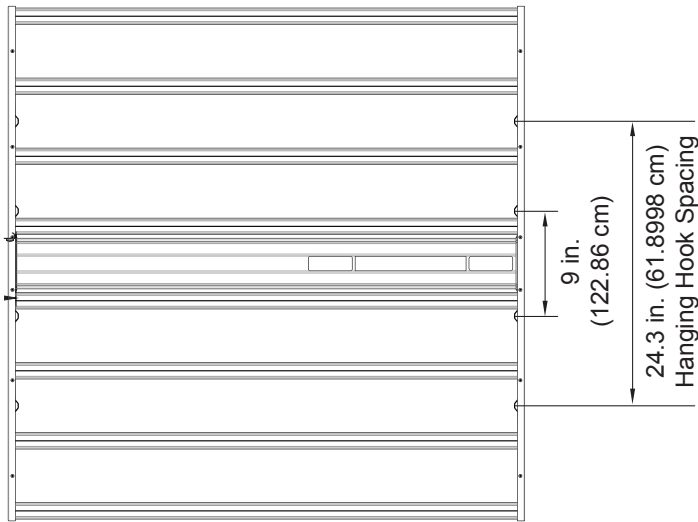


# Gavita® Pro 900e LED 120-277 V

Item #HGC906461



## SPECIFICATIONS



<b>INPUT VOLTAGE:</b> 120-277 V	
<b>INPUT WATTS:</b> 345 W	
<b>HEAT LOAD:</b> 1,180 btu/hr*	
<b>CURRENT - 100%</b>	
<b>120 V:</b>	2.9 A
<b>208 V:</b>	1.7 A
<b>240 V:</b>	1.5 A
<b>277 V:</b>	1.3 A
<b>INRUSH CURRENT:</b> < 30 A	
<b>FREQUENCY:</b> 50/60 Hz	
<b>POWER FACTOR (cosφ):</b> > 0.97	
<b>Voltage THD</b>	
<b>120 V:</b>	1.05%
<b>277 V:</b>	0.65%
<b>Current THD</b>	
<b>120 V:</b>	6.25%
<b>277 V:</b>	14.25%
<b>AMBIENT TEMP:</b> 32-104° F (0-40° C)	
<b>ENVIRONMENTAL RATING:</b> IP66	
<b>CONTROL:</b> 0-10 V DC source (with e-Series Adapter)	
<b>MOUNTING:</b> Multiple mounting methods included in the box	
<b>WEIGHT:</b> 24.3 lb	<b>DIM:</b> 44.1 in x 43.7 in x 2.3 in
<b>CERTIFICATIONS</b>	
UL 1598, UL 8800, & CSA C22.2 No. 250.0	
FCC Part 15, Non-consumer	
<b>WARRANTY:</b> 5 Years	

\*Please consult an HVAC expert to calculate total heat load in your grow space



This document is not intended to be used for installation purposes. We cannot cover all specific applications or anticipate all requirements. All specifications are subject to change without notice.

HawthorneGC.com | Canada: HawthorneGC.ca