



GROWING CLIMATE SOLUTIONS™

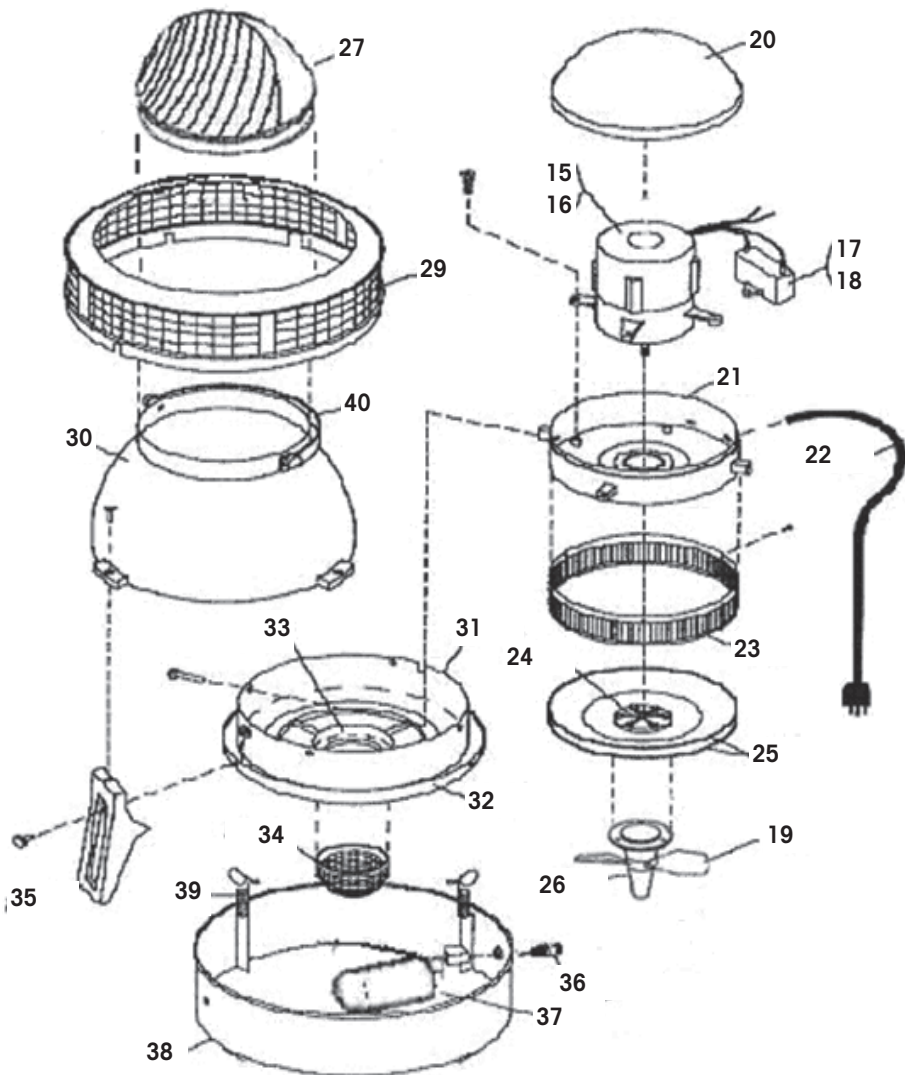
# COMMERCIAL-GRADE GSH75™ HUMIDIFIER

75 PINTS PER DAY



**PRODUCT# 700860**

# COMMERCIAL-GRADE GSH75™ HUMIDIFIER EXPLODED VIEW DIAGRAM



## —PART IDENTIFICATION LIST—

ID#	Description	ID#	Description
15	Motor(110V/60HZ)	30	Housing
17	Capacitor(250V/60HZ)	31	Mid Pan
19	Fan Blade	32	Lower Pan
20	Motor Cover	33	Strainer Support
21	Motor Support	34	Strainer Screen
22	Cord	35	Leg
23	Atomizing Screen	36	Float Valve (part #460885)
24	Hub Assembly	37	Float
25	Disk	38	Reservoir Pan
26	Pump	39	Spring
27	Fogging Head	40	Handle
29	Screen		

## —CAUTION—

- The appliance is not to be used by persons (including children) with reduced physical, sensory or mental capabilities, or lack of experience and knowledge.
- Do not let children play with the appliance.
- If the power cord is damaged, it must be replaced by the manufacturer, its service agent or similarly qualified person in order to avoid a hazard.
- Unplug the appliance during filling and cleaning. Follow the instructions included regarding filling, cleaning and descaling.
- Maximum permissible water pressure in pascals: 1, 2 MPa.  
(Minimum permissible water pressure in pascals : 0,5 MPa)

## **—WATER CONNECTION—**

Place the unit on a level surface, such as a benchtop or floor. In an environment with little to no ventilation, place the unit in a central location. In a ventilated area, place unit near the intake end. When the unit is in the desired location, connect a water supply to the female 6 mm / 1/4 inch inlet.

See options as follows:

- Plumb directly to a water supply (6 mm / 1/4 inch plastic tubing is preferred).
- Connect to a garden hose fitting.
- Plumb to a storage tank higher than the fogging unit (gravity feed).

## **—Power Connection—**

Plug the unit directly into an electrical outlet for evaluation. Listen for a smooth, quiet operation. Motor shaft should be centered and vertical. Make any necessary adjustments. If the power cord is damaged, it must be replaced by the manufacturer, its service agent or similarly qualified persons in order to avoid a hazard.

## **—Operation—**

**WARNING:** Designed for atomizing water only! Don't use flammable, toxic or corrosive liquids.

- Operating the unit using the fogging head will provide directional fogging output and a drier fog.
- For maximum fogging and circulation, operate unit without fogging head. Fog will propel 4 ~ 5 feet above the unit.

## **—TROUBLESHOOTING—**

### **No Fog:**

Check for motor rotation. If motor is operating properly, there will be an adequate amount of water in the pan (1/4" to 1-1/4").

If the pan runs dry, the float valve may be sticking in the up position. If so, the inlet water pressure needs to be reduced. If water supply is adequate, check the tapered pump for internal calcium build-up. Remove, inspect and clean as needed.

### **Overflowing Pan:**

An overfilled pan can cause poor quality fog and wetness around the unit.

A leaky float valve or a float that has filled with water may be the problem. To check the float, raise it out of the water and visually inspect it. No water should be inside and it should not sink.

If OK, then check for leaky valve. Turn water off and remove the fogger from the pan.

Empty the pan and towel dry. Hold the float in the up position and turn on the water.

If any water enters the pan while the float is in the up position, the float valve needs to be replaced.

## **—MAINTENANCE—**

- Regularly clean the Reservoir Pan Assembly with soap and water to remove dirt and sediment. Use liquid bleach after cleaning, to sterilize any parts if algae was present.
- Periodically remove Strainer Screen and thoroughly flush. Also check to make sure the tapered pump/fan blade assembly is free of debris.
- Once every three months, check unit for calcium build-up. If build-up deposits are present, disconnect the water and take the unit outside. Pour calcium dissolving solvent (available in local hardware stores) in pan and operate unit outside to soften and remove the deposits.
- About once a year, remove the housing to check the SST Atomizing Screen to be sure the slots are clear of mineral build-up. To clean, scrub with a calcium dissolving solvent.
- Unplug the appliance during filling and cleaning.
- Cleaning and user maintenance should not be made by children without supervision.



# IMPORTANT

*Product not working properly?*

**DO NOT** return this product to the store where you purchased it.

Contact Ideal Air Support directly at [support@ideal-air.com](mailto:support@ideal-air.com) or call

**1-877-9-IDEAL-1**

For answers to most common questions and a complete technical support library please visit [www.ideal-air.com](http://www.ideal-air.com)



*All design and specifications herein are subject to change without notice for product improvement. Contact Ideal Air for details, updates and other information.*

Exclusively distributed by:



Sunlight Supply, Inc.

[www.sunlightsupply.com](http://www.sunlightsupply.com)

MANUFACTURING  
SINCE  
1995