



V-FloFan

ENGLISH
Installation Instructions - Operating Instructions

NEDERLANDS
Installatie Instructies - Gebruiksaanwijzing

DEUTSCH
Installationsanleitung - Betriebsanleitung

FRANÇAIS
Instructions d'installation - Mode d'emploi

ESPAÑOL
Instrucciones de instalación - Instrucciones de uso



IMPORTANT - READ CAREFULLY BEFORE USE
BELANGRIJK - VOOR GEBRUIK ZORGVULDIG LEZEN
WICHTIG - VOR GEBRAUCH SORGFÄLTIG LESEN
IMPORTANT - LIRE ATTENTIVEMENT AVANT UTILISATION
IMPORTANTE - LEA ATENTAMENTE ANTES DE USAR

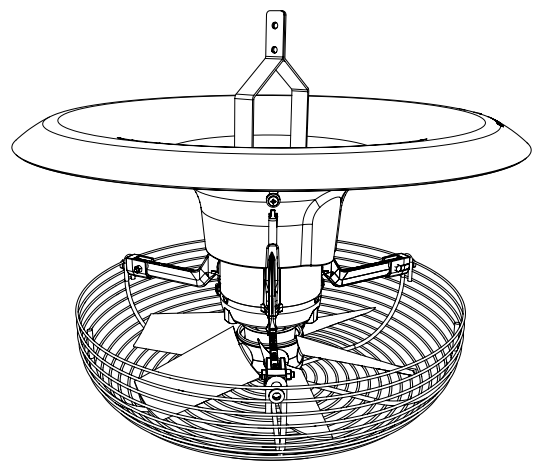


Table of Contents

English.....	3
Nederlands.....	11
Deutsch.....	19
Français	27
Español.....	35

Table of Contents

1 Introduction..... 3

2 Safety..... 3

3 Information..... 4

3.1 Overview..... 4

3.2 Intended use..... 4

3.3 Technical information 4

4 Installation..... 4

4.1 Mechanical 5

4.2 Electrical 6

4.2.1 Thermal protection 6

4.2.2 Speed control 7

5 Commissioning..... 7

6 Operation..... 7

7 Maintenance..... 7

7.1 Maintenance schedule..... 8

7.2 Maintenance subjects..... 8

8 Troubleshooting and repairs..... 8

9 End of life 9

10 EU Declaration of Conformity 9

11 UK Declaration of Conformity 10

Glossary 10

1 Introduction

IMPORTANT: READ THESE INSTRUCTIONS CAREFULLY BEFORE USE
KEEP THESE INSTRUCTIONS FOR FUTURE REFERENCE

These instructions are a part of this fan and must be passed on to any subsequent owner and/or user.

Contact your supplier if there are parts of these instructions that you do not understand. Compliance with these instructions will ensure a safe and correct use of this fan.

Target groups

General

These instructions are intended for:

- Installers tasked with the assembly (if applicable) and/or mechanical installation of this fan.
- Electricians tasked with the electrical installation of this fan.
- Operators tasked with the operation of this fan.
- Maintenance technicians tasked with maintenance and troubleshooting of this fan.

Target group requirements:

- Installers must have sufficient relevant experience or training in the installation of this type of fans.
- Electricians must be qualified electricians.
- Operators must have sufficient relevant experience or training in operating this type of fans.
- Maintenance technicians must have sufficient relevant experience or training in maintaining and troubleshooting this type of fans.

 **NOTICE**

This fan is for professional, industrial or commercial use only.

Packaging

If packaging materials are no longer required, dispose of them in accordance with regulations that apply in your area.

Modification of this fan

Modifying this fan without written permission of Vostermans Ventilation B.V. is not permitted.

Warranty will be void when this fan is modified without permission.

The EU Declaration of Conformity is no longer valid if this fan is modified without permission.

Legal notice / Disclaimer

The scope of delivery may vary from product images shown. This document was created with all due care. The information, instructions and parts listed are current on the date this document was issued.

Improper use

No liability is accepted for damages resulting from improper use.

2 Safety

Safety messages

Your safety and the safety of others are very important. Important safety messages are provided in these instructions.

READ THESE MESSAGES CAREFULLY

A safety message alerts you to potential hazards that could hurt you or others. Each safety message is preceded by a safety symbol and one of four signal words: DANGER, WARNING, CAUTION or NOTICE.

Explanation of the signal words used in these instructions







DANGER : You will be killed or seriously hurt if you do not follow instructions.

WARNING : You can be killed or seriously hurt if you do not follow instructions.

CAUTION : You can be hurt if you do not follow instructions.

NOTICE : Is used to address practices not related to physical injury.

Explanation of the safety symbols used

	General warning symbol
	Warning for electricity
	Warning for hot surfaces
	Warning for automatic activation
	Warning for explosive materials
	General mandatory action sign

3 Information

3.1 Overview

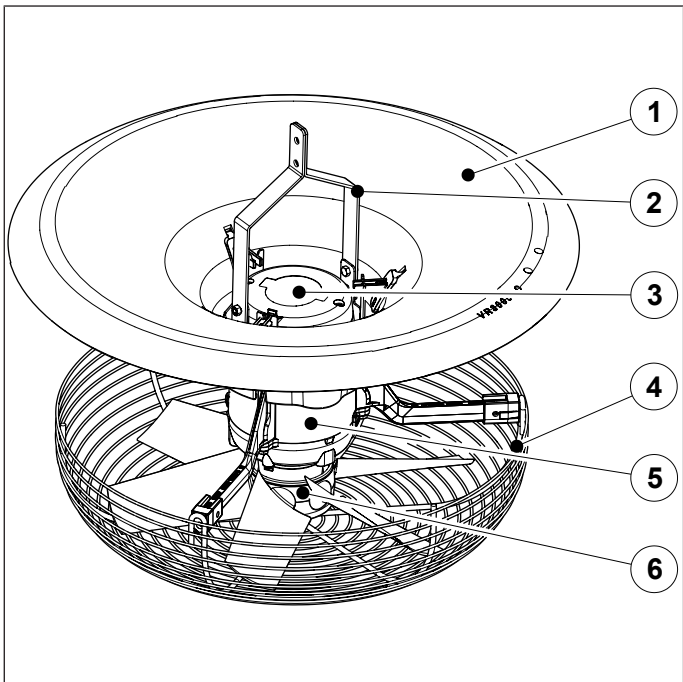


Illustration 1: V-FloFan overview

1	Air deflector
2	Suspension bracket
3	Fan rating plate and terminal housing cover
4	Guard
5	Fan motor
6	Impeller

Identification of the product

A rating plate is permanently attached to the V-FloFan and it must not be removed.

The rating plate displays electrical, mechanical and identification information.

Each fan has a unique 14-digit numerical serial number which is listed on the rating plate. The serial number must be provided in any future correspondence regarding this fan as it is the unique information used for identifying the fan in question.

A QR-code is displayed on the rating plate. This QR-code contains a link to an information page about this product. Here you can find a digital copy of these instructions as well as other information about this product.

3.2 Intended use

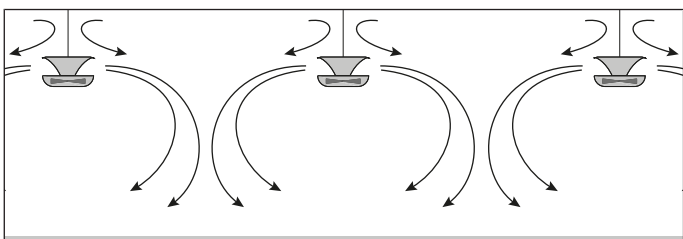




Illustration 2: VFloFan operating principle

This V-FloFan is intended for the destratification of air. This V-FloFan creates vertical air movement with a very low air speed. This fan is specially designed for use in greenhouses. This fan can also be used in poultry barns or other applications where destratification with low air speeds is desired.

 **NOTICE**
This fan is intended for moving air only.

 **DANGER**
Do not use this fan in **explosive or potentially explosive atmospheres.**

3.3 Technical information

For detailed technical information please visit our website from which technical datasheets can be viewed and downloaded.

<http://productselector.vostermans.com>

4 Installation

► Before commencing installation

1. Check the fan after you have received it and make sure it has not been damaged during transport.
2. Briefly rotate the impeller and/or motor shaft by hand to make sure they rotate freely.
3. Check all the information on the rating plate and verify that this fan is suitable for the intended application.

The bracket is tilted downwards for shipping purposes. Upright the bracket and fasten the bolts and nuts.

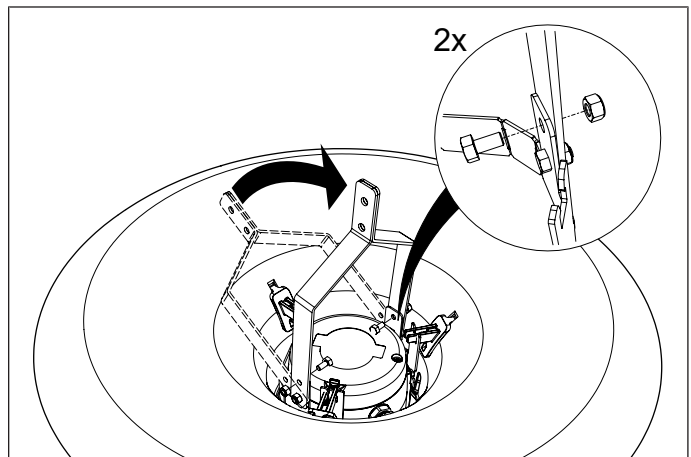


Illustration 3: Uprighting the bracket

4.1 Mechanical

Installation position

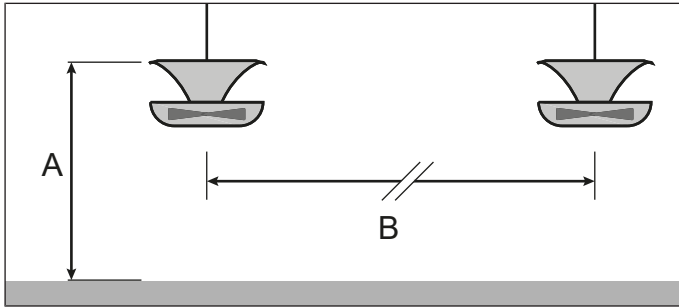


Illustration 4: V-FloFan installation position

A	max 5m for best results
B	± 18m for best results

Obstacles

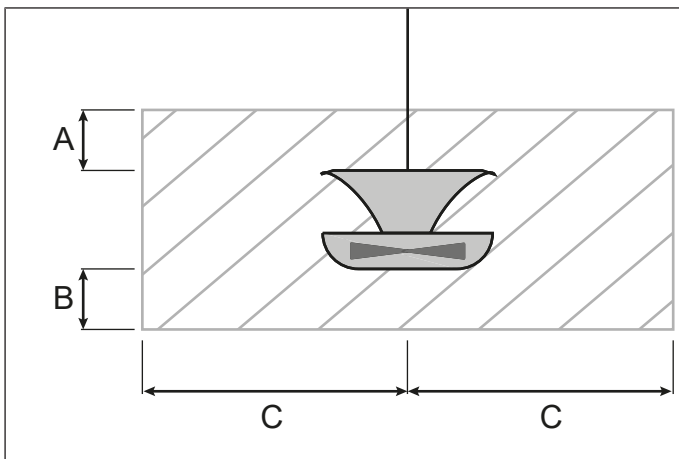


Illustration 5: V-FloFan obstacle free area

A	>0,5m
B	>0,5m
C	>2m

It is very important that there are no obstacles within the indicated area. Obstacles within this area will disrupt the airflow and may cause the fan to vibrate.

Suspension

The fan must be suspended from a rigid structure. In greenhouses, the fan should preferably be suspended directly from the truss of the greenhouse. A special bracket kit is available as an optional accessory. This bracket kit will fit the most commonly used greenhouse trusses. Contact your supplier for more information.

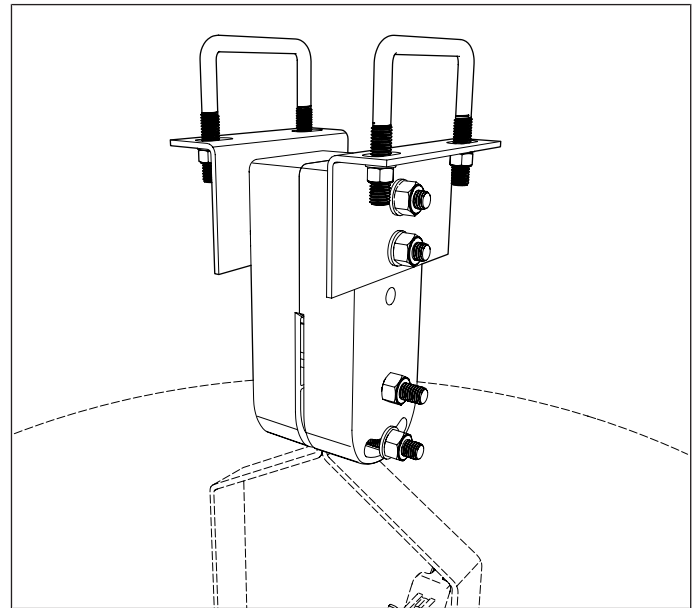


Illustration 6: V-FloFan optional bracket for greenhouses

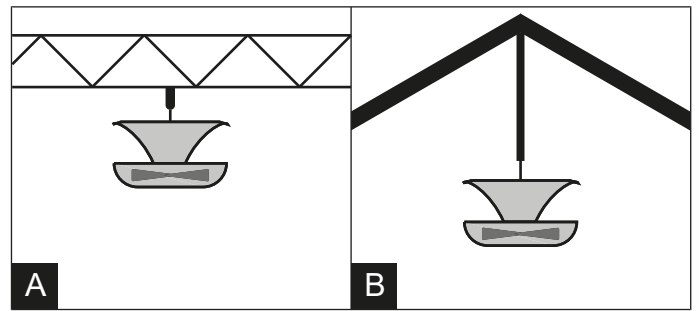


Illustration 7: V-FloFan suspension examples

A	in a greenhouse with the special truss bracket
B	lowered from the ridge of a building using a profile

Always observe the following:

- The fan must be suspended from a rigid structure.
- If the fan cannot be suspended directly from e.g. a truss or purlin, use rigid angle iron or tubular profiles to suspend the fan.



WARNING

The profile must be rigid enough so that it will not flex in any direction. This will prevent resonance as a result of the forces generated by the fan.



WARNING

Do not suspend the fan using chains, rope, steel cable or similar. The V-FloFan will spin and/or sway.

Guarding

This fan is default supplied with a guard at the bottom (intake) side. This fan is intended to be installed at such a height where a guard at the top (exhaust) side is usually not required.



NOTICE

The fan must be guarded according to local regulations

Condensate drain holes

The fan motor has drain holes to allow condensation that may form inside the motor to leave the motor. After installation, the drain hole at the lowest point of the motor must be open, the other drain holes must be closed.

Spare condensate drain plugs are supplied with the fan. Keep all the drain plugs as they must be temporarily reinserted in the open drain holes during wet cleaning.

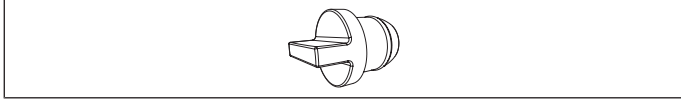
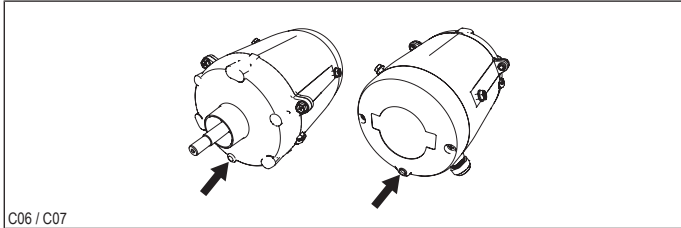


Illustration 8: Condensate drain hole plug



C06 / C07

Illustration 9: Condensate drain hole locations

4.2 Electrical

Wiring diagram

The wiring diagram is shown on the inside of the terminal housing cover. The wiring diagram is also shown on the technical data sheet.

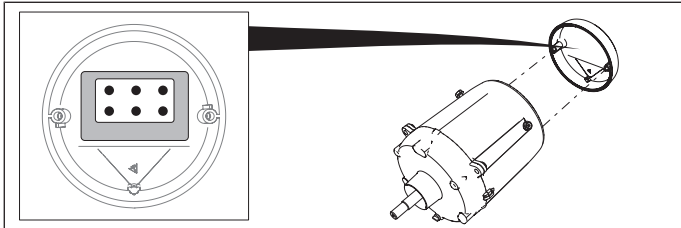


Illustration 10: Wiring diagram location



NOTICE

Electrical connection must be carried out by a qualified electrician. Electrical connections must be made in accordance with local regulations.

Check the rating plate and verify that this fan is suitable for the available power supply.

For 3~ fan motors: check that STAR / DELTA is properly configured on the terminal block.

Control

This fan is supplied without a control or control system. A control or a control system must be provided for operation of the fan.

Isolator

This fan is supplied without an electrical isolator. An electrical isolator must be provided to facilitate safe maintenance and troubleshooting.

Grounding



The fan must be grounded. Ground the fan according to local regulations.



NOTICE

Overcurrent protection

The use of an individual separate overcurrent protective device per fan is highly recommended.



NOTICE

Overload protection

The use of an individual separate overload protective device (Motor Protective Circuit Breaker) per fan is highly recommended.

4.2.1 Thermal protection

1~ fan motor thermal protection

Thermal detectors are built-in standard in 1~ fan motors. Thermal detectors are of the thermostat type TB: thermostat opening on increase of temperature.

In 1~ fan motors, the thermostat (TB) is by default wired in series with the phase (L) of the supply. The motor is as such self-resetting: when the motor overheats, the thermostat will switch off the motor automatically and once the motor has cooled down, the motor will start automatically again.

The presence of the text "Thermally Protected" on the rating plate and/or datasheet indicates that thermal protection is built-in the 1~ fan motor and that it is wired in series with the phase (L) of the supply.



WARNING

If the unexpected start of the motor by the thermostat can cause a hazard or is prohibited by local regulations, the thermostat must be connected into a control circuit that will not allow the motor to restart until the circuit is manually reset.

3~ fan motor thermal protection (optionally available)

Thermal detectors are optionally available in 3~ fan motors. Thermal detectors are of the thermostat type TB: thermostat opening on increase of temperature.

In 3~ fan motors, the thermostats (TB) are by default wired to separate terminals on the terminal block. An external control circuit can be connected here. **NOTICE! The thermostats in 3~ fan motors cannot be wired in series with the power supply.**

Maximum thermostat (TB) load

When connecting an external control circuit to the thermostats, the following load limits must be observed:

AC	≤ 500 V
	≤ 1.6 A
	Cos φ ≥ 0.6
DC	≤ 12 V
	≤ 40 A

Table 1: Maximum thermostat (TB) load

4.2.2 Speed control

Verify that this fan is suitable for speed control. On the datasheet and rating plate the following (combination of) codes can be found:

F = suitable for frequency control / VFD (Variable Frequency Drive)

E = suitable for electronic voltage control (TRIAC / phase cutting)

T = suitable for transformer voltage control

WARNING

If none of these codes is listed, this fan cannot be speed controlled!

Variable Frequency Drive (FC / frequency control)

- Do not reduce the frequency to less than 20% of the nominal frequency as listed on the rating plate.
- When using a variable frequency drive, the wiring instructions of the variable frequency drive manufacturer must be followed.

WARNING

Do not increase the frequency beyond the nominal value as listed on the rating plate

Electronic Voltage Control (TRIAC / SOLID-STATE / phase cutting)

- Do not reduce the voltage to less than 40% of the nominal voltage as listed on the rating plate.
- Motor noise (humming) can occur due to this type of control

Transformer voltage control

- Do not reduce the voltage to less than 40% of the nominal voltage as listed on the rating plate.

5 Commissioning

Before initial start-up verify that:

- Installation and electrical connection have been properly completed.
- No foreign material is present within the fan and fan housing.
- All necessary safety devices such as guards are in place.

Initial start-up

- Briefly switch on the power supply and check if the impeller rotates in the correct direction. Correct if necessary:
 - For 3~ fans interchange any 2 of the 3 phases of the supply.
 - For 1~ fans contact your supplier.
- Run the fan and check for quiet (no unusual noises), low vibration operation. Check that the current draw is within the full load limits as listed on the rating plate and datasheet.
- Refer to the troubleshooting section of these instructions if anything seems out of the ordinary.

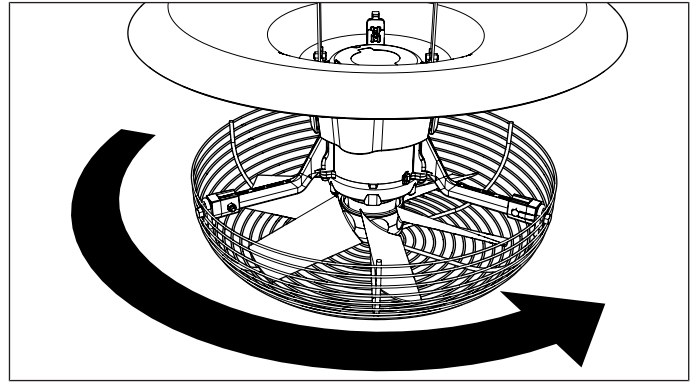


Illustration 11: V-FloFan impeller rotation direction

6 Operation

Always be alert when the fan is in operation. Immediately switch off and isolate the fan from the electrical supply if anything seems out of the ordinary. Refer to the troubleshooting section of these instructions if anything seems out of the ordinary.

NOTICE

The V-FloFan is very susceptible to other airflows that can disrupt a good functioning:

Do not use horizontal airflow fans at the same time as when the V-FloFan is in operation.

In greenhouses, do not operate the V-FloFan when the window vents are open.

Infrequent use

If the fan is used less frequently than once per month, run the fan each month at least 2 hours at full speed to avoid buildup of moisture in the fan motor and to keep the bearing lubricant in good condition.

DANGER

If the built-in thermal protection is in series with the power supply and is activated, the fan motor will automatically re-start after cooling down.

Risk of injury due to unexpected start.

CAUTION

The fan motor can get hot during operation

Do not touch it to prevent burns

7 Maintenance

DANGER

Switch off and completely isolate the fan from the electrical supply before commencing maintenance.

WARNING

All moving parts must be at a complete standstill before commencing maintenance.

7.1 Maintenance schedule

► **Maintenance tasks – TO BE CARRIED OUT EVERY MONTH**

1. Examine the fan housing for defects and remove any dirt that has accumulated.
2. Examine the motor and remove any dirt that has accumulated on the motor and between the motor cooling fins.
3. Examine the impeller for defects and remove any dirt that has accumulated.
4. Examine the condition of the guards (if fitted) and remove any dirt that has accumulated.

► **Maintenance tasks – TO BE CARRIED OUT EVERY 3 MONTHS**

1. Check the condition of the bearings.
2. Check the tightness of fasteners and fixings.

► **Maintenance tasks – TO BE CARRIED OUT ANNUALLY**

1. Only for 1~ fan motors: check the capacitor capacitance.

7.2 Maintenance subjects

Cleaning

In areas of application where high levels of contamination are present, cleaning intervals should be adjusted accordingly.

Cleaning is preferably done using a soft brush. Do not use any aggressive detergents, solvents or chemicals for cleaning.

Wet cleaning

Wet cleaning is allowed using low pressure clean water spray. Avoid directing water jets at bearings and electrical connections as much as possible.

When wet cleaning is planned, close any open condensate drain holes before commencing wet cleaning.

 **WARNING**

Do not use a high pressure cleaner.

Water may penetrate electrical connections and bearings.

► **After wet cleaning**

1. Open the condensate drain hole at the lowest point of the fan motor.
2. Run the fan for 2 hours at full speed to remove any moisture that may have entered the fan motor.

Bearings

The bearings used in the fan and/or fan motor are maintenance free and greased for life. Average lifespan during normal operation is >30.000 hours.

Defects in the bearings can usually be detected by listening. When the shaft / impeller is rotated by hand, it should move freely with a smooth uniform sound. Squeaking or grinding noises indicate the bearings may require replacement.

Impeller

Cleaning the impeller is very important. A dirty impeller will suffer from imbalance resulting in vibrations. A dirty impeller will also result in reduced fan performance and reduced fan efficiency.

Capacitor (1~ fan motor)

Capacitor capacitance decreases slowly over time. Average lifespan is ± 30.000 hours. Replace the capacitor when the capacitance has dropped below the value as listed on the capacitor.

8 Troubleshooting and repairs

 **WARNING**

Troubleshooting and repairs must be performed by skilled persons only!

Fault	Possible cause	Possible remedy
Excessive vibration	Impeller imbalance -> impeller damaged	Replace the impeller
	Impeller imbalance -> impeller dirty	Clean the impeller
	Bearings are damaged or worn	Replace the bearings
Fan does not start	No power supplied to fan	Check all power supplies Check fuse/circuit breaker
	(If present) VFD (Variable Frequency Drive) defective	Check VFD (refer to VFD manufacturers' instructions)
Fan does not start (supply voltage at fan motor terminals is present)	Thermal protection activated (Fan motor has overheated)	Clean the motor Check for overloading of fan system (intake or exhaust blocked?) Check if the supply voltage is not too high or too low
	Impeller blocked	Remove the blockage
	Only for 1~ fan motors: wrong or defective capacitor	Replace the capacitor
	Temperature too low for the bearing grease	Do not operate the fan outside the ambient temperature range as specified on the rating plate and technical data sheet
Fan motor overheats while running	Fan is overloaded	Check for overloading of the fan system (intake or exhaust blocked?)
	Fan motor overheated due to dirt in cooling fins.	Clean the motor
	Supply voltage too high or too low	Check the power supply
	Incorrect supply frequency	Check the power supply
	Only for 3~ motors: phase voltage imbalance	Check the power supply
Only for 1~ motors: wrong or defective capacitor	Replace the capacitor	

Fault	Possible cause	Possible remedy
Fan rotates in wrong direction	1~ fan motors: capacitor incorrectly connected	Connect according to wiring diagram (contact supplier)
	3~ fan motors: supply incorrectly connected	Swap any 2 of the 3 phases of the supply
Fan speed (rpm) is too low	Supply voltage is too low	Check the power supply
	Incorrect supply frequency	Check the power supply
	Only for 1~ fans: wrong or defective capacitor	Replace the capacitor
	Only for 3~ fans: STAR instead of DELTA connected	Connect as DELTA Check wiring diagram!
	3~ fan motors: Phase failure	Restore all 3 phases
High power consumption	Fan is overloaded	Check for overloading of the fan system (intake or exhaust blocked?)
	Fan speed is too high	Check the supply voltage and frequency
Unusual or excessive noises	Impeller hits fan housing	Check the installation and fixings and alignment
	Fan is operating in stall point	Lower the system resistance (Intake or exhaust blocked)
	Bearings are damaged or worn	Replace the bearings

Detailed repair and replacement instructions are available from your supplier or Vostermans Ventilation B.V.

It is highly recommended to use genuine parts only for service and repairs.

9 End of life






Disposal

At the end of the life of this fan, dispose of it properly in accordance with regulations that apply in your area.

Recycling

The main materials used in the electric motor are copper, steel and aluminium.

Most of the fan parts have the recycling symbol with material code listed on them to facilitate proper recycling. Some parts are made of easy to identify materials such as steel, and have no recycling symbol on them.

Symbol	Material
	Polypropylene
	ABS (Acrylonitrile butadiene styrene)
	Polyamide
	Glass fibre reinforced polypropylene
	Aluminium

Not all of the above symbols may appear on parts of this product. This is because the material in question is then not present in this product.

10 EU Declaration of Conformity

EU Declaration of Conformity

Manufacturer and authorized to compile the technical file:

Vostermans Ventilation B.V.

Parlevinkerweg 54

5928 NV, Venlo, The Netherlands

We declare under our sole responsibility that the products:

V-FloFan with part numbers:

- Beginning with T4 or T6
- And ending with 60

This EU Declaration of Conformity is only valid for products listed here that have a CE mark on their rating plate.

Fulfil all the relevant provisions of:

- Directive 2006/42/EC
- Directive 2014/30/EU
- Directive 2011/65/EU
- Directive 2012/19/EU
- Regulation (EU) N° 327/2011

The following harmonized standards were used:

- EN-ISO 12100:2010
- EN 60204-1:2018
- EN ISO 13854:2019
- EN ISO 13857:2019
- EN-ISO 14120:2015
- EN-ISO 13732-1:2008
- EN-ISO 11201:2010
- EN-ISO 11203:2009/A1:2020
- EN-ISO 11204:2010
- EN 61000-6-2:2005/AC:2005
- EN 61000-6-4:2007/A1:2011
- EN 61800-3:2004/A1:2012
- EN IEC 63000:2018

The following other technical standards and specifications were used:

- ISO/TR 14121-2:2012
- EN 60204-1:2006/AC:2010
- ISO 9001:2015
- EN IEC 61000-6-2:2019
- EN IEC 61000-6-4:2019
- EN IEC 61800-3:2018
- EN 50581:2012
- EN ISO 5801:2017
- EN-ISO 12499:2008
- ISO 13348:2007
- EN-ISO 13857:2008
- EN 349:1993/A1:2008

Venlo, 31-10-2022

H.L.J. Vostermans, CEO

*(Fan pro – DoC 2006_42_EC – v2.12)***11 UK Declaration of Conformity****UK Declaration of Conformity****Manufacturer and authorized to compile the technical documentation:**

Vostermans Ventilation B.V.

Parlevinkerweg 54

5928 NV, Venlo, The Netherlands

UK Responsible person:

UKCA Experts Ltd.

Dept 302, 43 Owston Road

Carcroft, Doncaster, DN6 8DA

United Kingdom

We declare under our sole responsibility that the products:

Tube Fan with part numbers:

- Starting with P2S, P2T, P4S, P4T, P6S or P6T

*This UK Declaration of Conformity is only valid for products listed here that have a UKCA mark on their rating plate.***are in conformity with the relevant UK Statutory Instruments and fulfill all the relevant provisions of the following regulations and their amendments:**

- 2008 No. 1597
- 2016 No. 1091
- 2012 No. 3032
- 2013 No. 3113
- 2010 No. 2617

The following designated standards were used:

- EN-ISO 12100:2010
- EN 60204-1:2018

- EN ISO 13854:2019
- EN ISO 13857:2019
- EN-ISO 14120:2015
- EN-ISO 13732-1:2008
- EN-ISO 11201:2010
- EN-ISO 11203:2009/A1:2020
- EN-ISO 11204:2010
- EN 61000-6-2:2005/AC:2005
- EN 61000-6-4:2007/A1:2011
- EN 61800-3:2004/A1:2012
- EN IEC 63000:2018

The following other technical standards and specifications were used:

- ISO/TR 14121-2:2012
- EN 60204-1:2006/AC:2010
- ISO 9001:2015
- EN IEC 61000-6-2:2019
- EN IEC 61000-6-4:2019
- EN IEC 61800-3:2018
- EN 50581:2012
- EN ISO 5801:2017
- EN-ISO 12499:2008
- ISO 13348:2007
- EN-ISO 13857:2008
- EN 349:1993/A1:2008

Venlo, 27-10-2022

H.L.J. Vostermans, CEO

*(Fan pro – DoC 2008 No. 1597 – v2.12)***Glossary****Destratification**

The mixing of air to eliminate layers and achieve temperature equalization.

Explosive atmosphere

A mixture of air, under atmospheric conditions, with flammable substances in the form of gases, vapours, mists or dusts in which, after ignition has occurred, combustion spreads to the entire unburned mixture.

Skilled person

Individual with relevant technical education, training or experience to enable perceiving risks and avoiding hazards occurring during use of a product.

Inhoudsopgave

1	Introductie	11
2	Veiligheid.....	11
3	Informatie	12
3.1	Overzicht	12
3.2	Bedoeld gebruik.....	12
3.3	Technische informatie	12
4	Installatie	12
4.1	Mechanisch	13
4.2	Elektrisch.....	14
4.2.1	Thermische beveiliging.....	14
4.2.2	Snelheidsregeling.....	15
5	Inbedrijfstelling.....	15
6	Gebruik.....	15
7	Onderhoud	15
7.1	Onderhoudsschema.....	16
7.2	Onderhoudsonderwerpen.....	16
8	Foutopsporing en reparaties.....	16
9	Einde van de levensduur	17
10	EU-verklaring van overeenstemming	18
	Begrippenlijst.....	18

1 Introductie

BELANGRIJK: LEES DEZE INSTRUCTIES ZORGVULDIG VOOR GEBRUIK

BEWAAR DEZE INSTRUCTIES VOOR TOEKOMSTIG GEBRUIK

Deze instructies maken deel uit van deze ventilator en moeten worden doorgegeven aan iedere volgende eigenaar en/of gebruiker.

Neem contact op met uw leverancier als er delen van deze instructies zijn die u niet begrijpt. Naleving van deze instructies garandeert een veilig en correct gebruik van deze ventilator.

Doelgroepen

Algemeen

Deze instructies zijn bedoeld voor:

- Installateurs die belast zijn met de assemblage (indien van toepassing) en/of mechanische installatie van deze ventilator.
- Elektriciens belast met de elektrische installatie van deze ventilator.
- Gebruikers die belast zijn met de bediening van deze ventilator.
- Onderhoudstechnici belast met het onderhoud en het oplossen van storingen aan deze ventilator.

Doelgroepvereisten:

- Installateurs moeten voldoende relevante ervaring of opleiding hebben in de installatie van dit type ventilatoren.
- Elektriciens moeten gekwalificeerde elektriciens zijn.
- Gebruikers moeten voldoende relevante ervaring of opleiding hebben in het bedienen van dit type ventilatoren.
- Onderhoudstechnici moeten voldoende relevante ervaring of opleiding hebben in het onderhoud en het oplossen van storingen van dit type ventilatoren.



LET OP

Deze ventilator is uitsluitend voor professioneel, industrieel of commercieel gebruik.

Verpakking

Als het verpakkingsmateriaal niet langer benodigd is, voer het dan af in overeenstemming met plaatselijk geldende voorschriften.

Wijziging van deze ventilator

Het wijzigen van deze ventilator zonder schriftelijke toestemming van Vostermans Ventilation B.V. is niet toegestaan.

De garantie vervalt wanneer deze ventilator wordt gewijzigd zonder toestemming.

De EU-Conformiteitsverklaring is niet langer geldig indien deze ventilator zonder toestemming wordt gewijzigd.

Wettelijke kennisgeving / Afwijzing van aansprakelijkheid

De leveringsomvang kan afwijken van getoonde productafbeeldingen. Dit document is met de grootst mogelijke zorgvuldigheid opgesteld. De opgesomde informatie, instructies en onderdelen zijn actueel op de datum van uitgifte van dit document.

Oneigenlijk gebruik

Voor schade die het gevolg is van oneigenlijk gebruik wordt geen aansprakelijkheid aanvaard.

2 Veiligheid

Veiligheidsmededelingen

Uw veiligheid en de veiligheid van anderen is erg belangrijk. Belangrijke veiligheidsmededelingen worden in deze instructies gegeven.

LEES DEZE MEDEDELINGEN ZORGVULDIG

Een veiligheidsmededeling waarschuwt u voor potentiële gevaren die u of anderen kunnen kwetsen. Elke veiligheidsmededeling wordt voorafgegaan door een veiligheidssymbool en één van de vier signaalwoorden: GEVAAR, WAARSCHUWING, VOORZICHTIG of LET OP.

Uitleg van de signaalwoorden die in deze instructies worden gebruikt





GEVAAR : U loopt dodelijk of ernstig letsel op als u instructies niet opvolgt.



WAARSCHUWING : U loopt mogelijk dodelijk of ernstig letsel op als u instructies niet opvolgt.

LET OP : U kunt letsel oplopen als u instructies niet opvolgt.

LET OP : Wordt gebruikt voor mededelingen die niet gerelateerd zijn aan het oplopen van letsel.

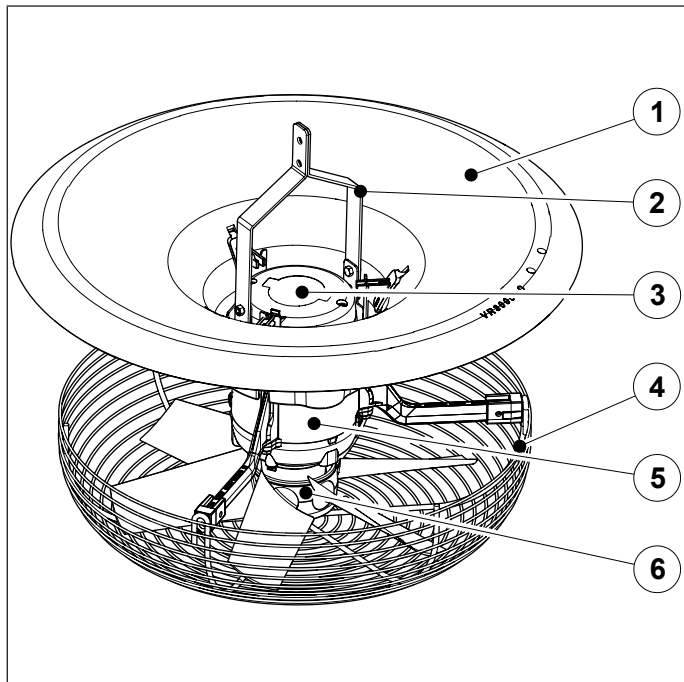
Uitleg van de gebruikte veiligheidssymbolen

	Algemeen waarschuwingssymbool
	Waarschuwing voor elektriciteit
	Waarschuwing voor hete oppervlakken
	Waarschuwing voor automatisch inschakelen

	Waarschuwing voor explosieve materialen
	Algemeen verplicht uit te voeren actie

3 Informatie

3.1 Overzicht



Afbeelding 1: V-FloFan overzicht

1	Luchtgeleider
2	Ophangbeugel
3	Ventilator typeplaat en klemmenkastdeksel
4	Afscherming
5	Ventilator motor
6	Waaier

Identificatie van het product

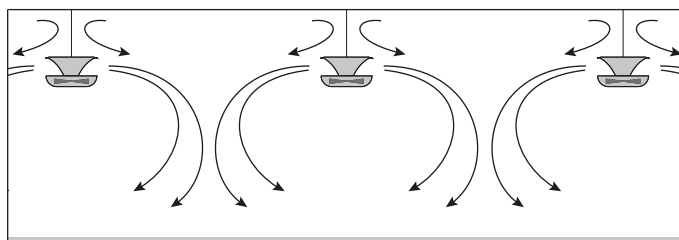
Een typeplaat is permanent bevestigd aan de V-FloFan en mag niet worden verwijderd.

Op de typeplaat zijn elektrische, mechanische en identificatiegegevens vermeld.

Elke ventilator heeft een uniek 14-cijferig numeriek serienummer dat op de typeplaat staat vermeld. Het serienummer moet worden vermeld in alle toekomstige correspondentie over deze ventilator aangezien dit de unieke informatie is die wordt gebruikt om de ventilator in kwestie te identificeren.

Een QR-code wordt weergegeven op de typeplaat. Deze QR-code bevat een link naar een informatiepagina over dit product. Hier vindt u een digitale kopie van deze instructie en andere informatie over dit product.

3.2 Bedoeld gebruik



Afbeelding 2: V-FloFan werkingsprincipe

Deze V-FloFan is bedoeld voor de de-stratificatie van lucht. Deze V-FloFan creëert verticale luchtbeveging met een zeer lage lichtsnelheid. Deze ventilator is speciaal ontworpen voor gebruik in kassen. Deze ventilator kan ook worden gebruikt in pluimveestallen of andere toepassingen waar de-stratificatie met lage lichtsnelheden gewenst is.

! LET OP

Deze ventilator is uitsluitend bedoeld voor het verplaatsen van lucht.

⚠ GEVAAR

Gebruik deze ventilator niet in explosieve of potentieel explosieve atmosfeer.

3.3 Technische informatie

Voor gedetailleerde technische informatie kunt u terecht op onze website, waar u technische gegevensbladen kunt bekijken en downloaden.

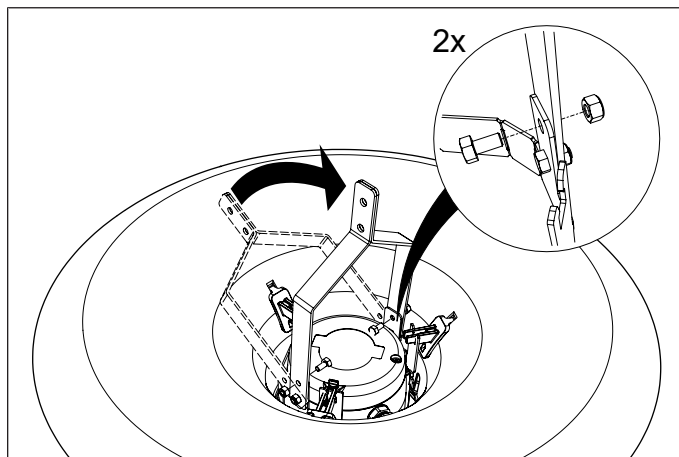
<http://productselector.vostermans.com>

4 Installatie

► Voor aanvang van installatie

1. Controleer de ventilator na ontvangst of deze niet beschadigd is tijdens het transport.
2. Draai de waaier en/of motoras kortstondig met de hand rond en controleer dat deze onbelemmerd ronddraaien.
3. Bekijk alle gegevens op de typeplaat en controleer of deze ventilator geschikt is voor de beoogde toepassing.

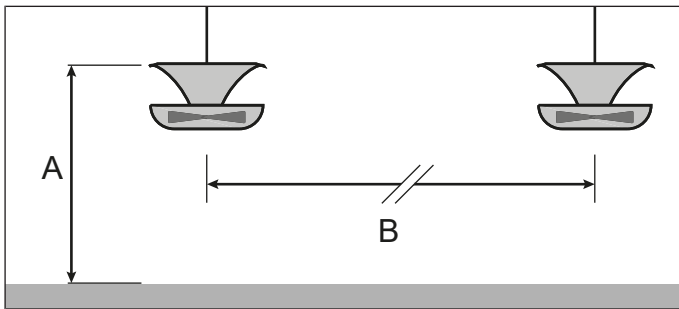
De beugel is naar beneden gekanteld voor verzendingsdoeleinden. Zet de beugel rechtop en draai de bouten en moeren vast.



Afbeelding 3: Het rechtop zetten van de beugel

4.1 Mechanisch

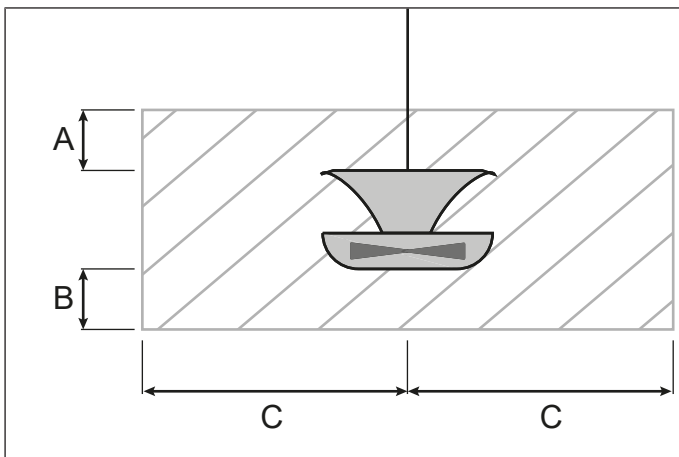
Installatie positie



Afbeelding 4: V-FloFan installatie positie

A	max 5m voor de beste resultaten
B	± 18m voor de beste resultaten

Obstakels



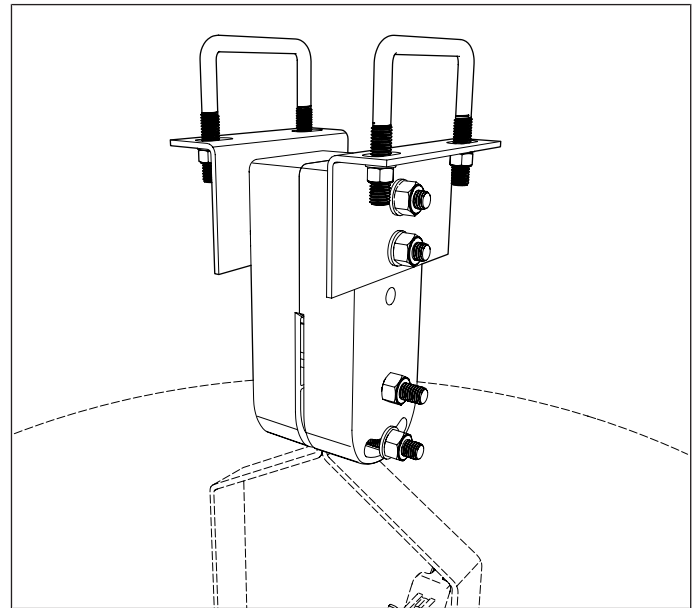
Afbeelding 5: V-FloFan obstakelvrije zone

A	> 0,5m
B	> 0,5m
C	> 2m

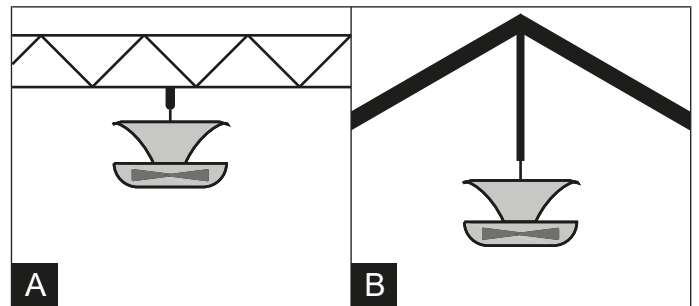
Het is zeer belangrijk dat er geen obstakels zijn binnen het aangegeven gebied. Obstakels in dit gebied verstoren de luchtstroom en kunnen de ventilator doen laten trillen.

Ophanging

De ventilator moet worden opgehangen aan een stijve constructie. In kassen dient de ventilator bij voorkeur direct aan de tralie van de kas te worden opgehangen. Een speciale set ophangbeugels is optioneel verkrijgbaar als accessoire. Deze beugel set past op de meest voorkomende tralies in kassen. Neem contact op met uw leverancier voor meer informatie.



Afbeelding 6: V-FloFan optionele beugel voor kassen



Afbeelding 7: V-FloFan voorbeelden van ophanging

A	in een kas met de speciale beugel voor tralies
B	Verlaagd gehangen vanuit de nok van een gebouw met een profiel

Neem altijd het volgende in acht:

- De ventilator moet worden opgehangen aan een stijve constructie.
- Als de ventilator niet direct aan bijvoorbeeld een spant of gording kan worden opgehangen, gebruik dan stijve hoek- of buisprofielen om de ventilator op te hangen.



WAARSCHUWING

Het profiel moet stijf genoeg zijn zodat het in geen enkele richting kan buigen. Dit voorkomt resonantie als gevolg van de door de ventilator opgewekte krachten.



WAARSCHUWING

Hang de ventilator niet op met behulp van kettingen, kabels, staalkabels of iets dergelijks.

De V-FloFan zal gaan draaien en/of zwaaien.

Afscherming

Deze ventilator wordt standaard geleverd met een afscherming aan de onderzijde (inlaatzijde). Deze ventilator is bedoeld om op een zodanige hoogte te worden geïnstalleerd, dat een afscherming aan de bovenzijde (uitlaat) normaal niet nodig is.

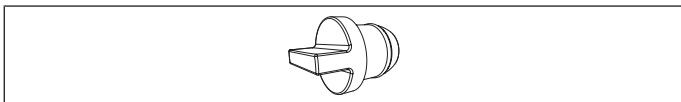
**LET OP**

De ventilator moet worden afgeschermd volgens plaatselijk geldende voorschriften

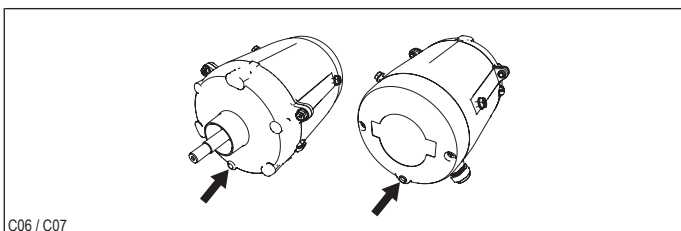
Condensaatafvoergaten

De ventilator motor is voorzien van afvoergaten zodat condenswater dat zich in de motor kan vormen, de motor kan verlaten. Na de montage moet het afvoergat op het laagste punt van de motor geopend zijn, de andere afvoergaten moeten gesloten zijn.

Reserve condensaatafvoergatstoppen worden met de ventilator meegeleverd. Bewaar alle stoppen daar deze tijdelijk geplaatst moeten worden tijdens natte reiniging.



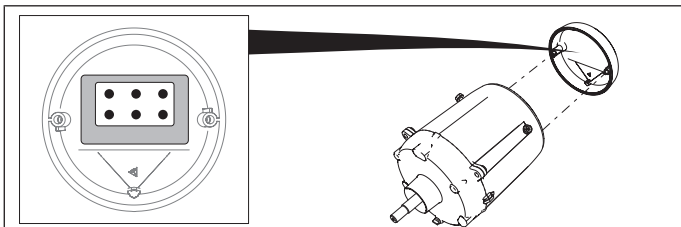
Afbeelding 8: Condensaatafvoergatstop



Afbeelding 9: Condensaatafvoergat locaties

4.2 Elektrisch**Aansluitschema**

Het aansluitschema staat aan de binnenkant van de klemmenkastdeksel. Het aansluitschema staat ook op het technische gegevensblad.



Afbeelding 10: Locatie van het aansluitschema

**LET OP**

De elektrische aansluiting moet worden uitgevoerd door een gekwalificeerde electricien. De elektrische aansluiting moet in overeenstemming met de plaatselijke voorschriften worden uitgevoerd.

Controleer de typeplaat en controleer of deze ventilator geschikt is voor de aanwezige stroomvoorziening.

Bij 3~ ventilator motoren: controleer of STER / DRIEHOEK correct is geconfigureerd op het klemmenbord.

Besturing

Deze ventilator wordt geleverd zonder besturing of besturingssysteem. Voor de bediening van de ventilator moet een besturing of besturingssysteem voorzien worden.

Scheidingsschakelaar

Deze ventilator wordt geleverd zonder scheidingsschakelaar. Er moet een scheidingsschakelaar worden voorzien om onderhoud en het oplossen van problemen veilig te kunnen uitvoeren.

Aarding

 De ventilator moet worden geaard. Aard de ventilator volgens de plaatselijk geldende voorschriften.

**LET OP****Overstroom beveiliging**

Het gebruik van een individuele afzonderlijke overstroombeveiliging per ventilator wordt ten zeerste aanbevolen.

**LET OP****Overbelastingsbeveiliging**

Het gebruik van een individuele afzonderlijke overbelastingsbeveiliging (motorbeveiligingsschakelaar) per ventilator wordt ten zeerste aanbevolen.

4.2.1 Thermische beveiliging**1~ ventilator motor thermische beveiliging**

Thermische detectoren zijn standaard ingebouwd in 1~ ventilator motoren. Thermische detectoren zijn van het type thermostaat TB: thermostaat opent bij temperatuurstijging.

Bij 1~ ventilator motoren, is de thermostaat (TB) standaard in serie geschakeld met de fase (L) van de voeding. De motor is zodoende zelfresettend: Wanneer de motor oververhit raakt, schakelt de thermostaat de motor automatisch uit en zodra de motor is afgekoeld, start de motor automatisch opnieuw.

De aanwezigheid van de tekst "Thermally Protected" op de typeplaat en / of gegevensblad geeft aan dat thermische beveiliging is ingebouwd in de 1~ ventilator motor en dat deze in serie geschakeld is met de fase (L) van de voeding.

**WAARSCHUWING**

Als het onverwacht starten van de motor door de thermostaat gevaar op kan leveren of verboden is volgens plaatselijke voorschriften, dan moet de thermostaat worden aangesloten op een regelcircuit welk de motor niet opnieuw kan laten starten totdat het circuit handmatig wordt gereset.

3~ ventilator motor thermische beveiliging (optioneel beschikbaar)

Thermische detectoren zijn optioneel beschikbaar in 3~ ventilator motoren. Thermische detectoren zijn van het type thermostaat TB: thermostaat opent bij temperatuurstijging.

Bij 3~ ventilator motoren, zijn de thermostaten (TB) standaard op aparte polen van het klemmenbord aangesloten. Een extern regelcircuit kan hier aangesloten worden. **LET OP! De thermostaten in 3~ ventilator motoren kunnen niet in serie met de voeding geschakeld worden.**

Maximale belasting van de thermostaat (TB)

Bij het aansluiten van een extern regelcircuit op de thermostaten, moeten de volgende belastingsgrenzen in acht worden genomen:

AC	≤ 500 V
	≤ 1,6 A
	Cos φ ≥ 0,6
DC	≤ 12 V
	≤ 40 A



Tabel 1: Maximale belasting van de thermostaat (TB)

4.2.2 Snelheidsregeling

Controleer of deze ventilator geschikt is voor snelheidsregeling. Op de typeplaat en het technische gegevensblad staan de volgende (combinatie van) codes weergegeven:

F = geschikt voor frequentieregeling / VFD (variabele frequentieregelaar)

E = geschikt voor elektronische spanningsregeling (TRIAC / fase afsnijding)

T = geschikt voor transformator spanningsregeling



WAARSCHUWING

Als geen van deze codes is vermeld, kan deze ventilator niet snelheids geregeld worden!

Variabele frequentieregelaar (FC / frequentieregeling)

- Verlaag de frequentie niet tot minder dan 20% van de nominale frequentie zoals vermeld op de typeplaat.
- Bij gebruik van een frequentieregelaar moeten de aansluitvoorschriften van de fabrikant van de frequentieregelaar gevolgd worden.



WAARSCHUWING

Verhoog de frequentie niet boven de nominale waarde zoals vermeld op de typeplaat

Electronische Voltage Regeling (TRIAC / solid-state / fase afsnijding)

- Verlaag de spanning niet tot minder dan 40% van de nominale spanning zoals vermeld op de typeplaat.
- Motorgeluid (brommen) kan optreden als gevolg van dit type regeling

Transformator spanningsregeling

- Verlaag de spanning niet tot minder dan 40% van de nominale spanning zoals vermeld op de typeplaat.

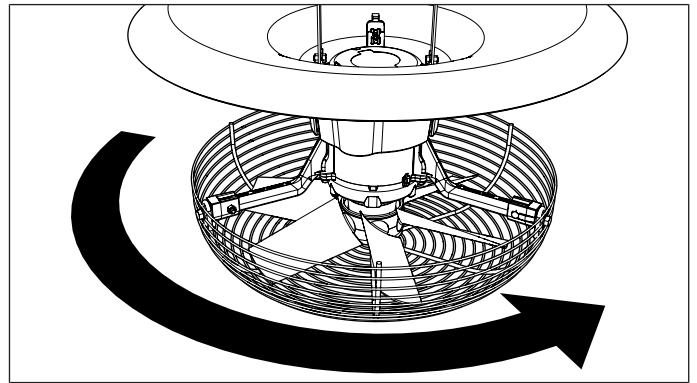
5 Inbedrijfstelling

Controleer voorafgaand aan de eerste inbedrijfstelling dat:

1. De installatie en elektrische aansluiting goed zijn uitgevoerd.
2. Er geen vreemde voorwerpen aanwezig zijn in de ventilator en ventilator behuizing.
3. Alle benodigde veiligheidsvoorzieningen zoals beschermroosters aangebracht zijn.

Eerste inbedrijfstelling

1. Schakel de voeding kort in en controleer of de waaier in de juiste richting draait. Corrigeer indien nodig:
 - Bij 3~ ventilatoren: wissel 2 van de 3 fasen van de voeding
 - Bij 1~ ventilatoren: neem contact op met uw leverancier
2. Laat de ventilator draaien en controleer dat deze zonder vreemde geluiden en trillingsarm werkt. Controleer of de stroomopname binnen de limieten voor volledige belasting valt zoals vermeld op het typeplaatje en het datablad.
3. Raadpleeg het hoofdstuk Foutopsporing in deze instructies als er iets ongewoon lijkt te zijn.



Afbeelding 11: V-FloFan draairichting van de waaier

6 Gebruik

Wees altijd alert wanneer de ventilator in bedrijf is. Schakel de ventilator onmiddellijk uit en isoleer de ventilator van de stroomvoorziening als er iets ongewoon lijkt te zijn. Raadpleeg het hoofdstuk Foutopsporing in deze instructies als er iets ongewoon lijkt te zijn.



LET OP

Deze V-FloFan is zeer gevoelig voor andere luchtstromen die een goede werking kunnen verstoren:

Gebruik geen horizontale luchtstroom ventilatoren op hetzelfde moment als wanneer de V-FloFan in bedrijf is.

In kassen, gebruik de V-FloFan niet als de ventilatieramen geopend zijn.

Infrequent gebruik.

Als de ventilator minder vaak dan één keer per maand wordt gebruikt, moet u de ventilator elke maand minstens 2 uur op volle snelheid laten draaien, om vochtophoping in de ventilator motor te voorkomen en het smeermiddel in de lagers in goede conditie te houden.



GEVAAR

Als de ingebouwde thermische beveiliging in serie staat met de voeding en wordt geactiveerd, start de ventilator motor na het afkoelen automatisch opnieuw.

Gevaar voor letsel door onverwachte start.



VOORZICHTIG

De ventilator motor kan heet worden tijdens gebruik

Raak deze niet aan om brandwonden te voorkomen

7 Onderhoud



GEVAAR

Schakel de ventilator uit en isoleer de de ventilator volledig van de stroomvoorziening voordat met het onderhoud wordt begonnen.



WAARSCHUWING

Alle bewegende delen moeten volledig stilstaan voordat met het onderhoud wordt begonnen.

7.1 Onderhoudsschema

► Onderhoudstaken - MAANDELIJKS UIT TE VOEREN

1. Controleer de ventilatorbehuizing op beschadigingen en verwijder vuil dat zich afgezet heeft.
2. Controleer de motor en verwijder vuil dat zich heeft afgezet op de motor en tussen de koelribben van de motor.
3. Controleer de waaier op beschadigingen en verwijder vuil dat zich afgezet heeft.
4. Controleer de toestand van de afschermingen (indien geïnstalleerd) en verwijder vuil dat zich afgezet heeft.

► Onderhoudstaken - ELKE 3 MAANDEN UIT TE VOEREN

1. Controleer de toestand van de lagers.
2. Controleer of de bevestigingen en bevestigingsmiddelen goed vastzitten.

► Onderhoudstaken - JAARLIJKS UIT TE VOEREN

1. Alleen voor 1~ ventilator motoren: controleer de capaciteit van de condensator.

7.2 Onderhoudsonderwerpen

Reiniging

In toepassingsgebieden met hoge verontreinigingsniveaus moeten de reinigingsintervallen overeenkomstig worden aangepast.

Reiniging gebeurt bij voorkeur met een zachte borstel. Gebruik voor het reinigen geen agressieve reinigingsmiddelen, oplosmiddelen of chemicaliën.

Natte reiniging

Natte reiniging is toegestaan met schoon water onder lage druk. Voorkom het richten van waterstralen op lagers en elektrische aansluitingen zoveel mogelijk.

Wanneer natte reiniging gepland is, sluit open condensataafvoergaten voorafgaand aan natte reiniging.



WAARSCHUWING

Gebruik geen hoge druk reiniger.

Water kan elektrische aansluitingen en lagers binnendringen.

► Na natte reiniging

1. Open het condensatafvoergat op het laagste punt van de ventilator motor.
2. Laat de ventilator 2 uur op volle snelheid draaien om eventueel binnengedrongen vocht te verwijderen.

Lagers

De lagers in de ventilator zijn onderhoudsvrij en gesmeerd voor het leven. De gemiddelde levensduur bij normaal gebruik van de ventilator is >30.000 uur.

Defecten in de lagers kunnen meestal worden gedetecteerd door te luisteren. Wanneer de as/waaier met de hand wordt gedraaid, moet deze vrij kunnen bewegen met een gelijkmatig en soepel geluid. Piepende of krakende geluiden zijn een aanwijzing dat de lagers mogelijk vervangen moeten worden.

Waaier

Het reinigen van de waaier is erg belangrijk. Een vervuilde waaier heeft last van onbalans wat trillingen als gevolg heeft. Een vervuilde waaier leidt ook tot verminderde ventilator prestaties en een verminderd ventilator rendement.

Condensator (1~ ventilator motor)

Condensator capaciteit neemt langzaam af in de tijd. De gemiddelde levensduur is ± 30.000 uur. Vervang de condensator wanneer de capaciteit onder de waarde is gedaald die op de condensator staat vermeld.

8

Foutopsporing en reparaties



WAARSCHUWING

Foutopsporingen en reparaties mogen alleen door vakmensen worden uitgevoerd!

Fout	Mogelijke oorzaak	Mogelijke oplossing
Overmatige trillingen	Onbalans van de waaier -> beschadigde waaier	Vervang de waaier
	Onbalans van de waaier -> waaier vuil	Reinig de waaier
	Lagers zijn beschadigd of versleten	Vervang de lagers
Ventilator start niet	Geen stroomtoevoer naar ventilator	Controleer alle stroomvoorzieningen Controleer zekering / installatieautomaat
	(indien aanwezig) VFD (frequentieregelaar) defect	VFD controleren (zie instructies van de VFD-fabrikant)
Ventilator start niet (Voedingsspanning is aanwezig op de klemmen van de ventilatormotor)	Thermische beveiliging is geactiveerd (Ventilator motor is oververhit)	Maak de motor schoon Controleer of het ventilatiesysteem niet overbelast is (inlaat of uitlaat geblokkeerd?) Controleer of de voedingsspanning niet te hoog of te laag is
	Waaier geblokkeerd	Verwijder de blokkade
	Alleen voor 1~ ventilator motoren: verkeerde of defecte condensator	Vervang de condensator
	Temperatuur te laag voor het lagervet	Gebruik de ventilator niet buiten het omgevingstemperatuurbereik zoals aangegeven op de typeplaat en het technische gegevensblad
Oververhitting van de ventilator motor tijdens bedrijf	Ventilator overbelast	Controleer of het ventilatiesysteem niet overbelast is (inlaat of uitlaat geblokkeerd?)
	Ventilator motor oververhit omdat er vuil tussen de koelribben zit.	Maak de motor schoon

Fout	Mogelijke oorzaak	Mogelijke oplossing
	Voedingsspanning te hoog of te laag	Controleer de stroomvoorziening
	Onjuiste frequentie van de voeding	Controleer de stroomvoorziening
	Alleen voor 3~ motoren: fase-ongelijkheid van de spanning	Controleer de stroomvoorziening
	Alleen bij 1~ motoren: verkeerde of defecte condensator	Vervang de condensator
Verkeerde draairichting van de ventilator	1~ ventilator motoren: condensator verkeerd aangesloten	Aansluiten volgens aansluitschema (neem contact op met de leverancier)
	3~ ventilator motoren: voeding verkeerd aangesloten	Verwissel onderling 2 van de 3 fasen van de voeding
Ventilator snelheid (tpm) te laag	Voedingsspanning is te laag	Controleer de stroomvoorziening
	Onjuiste frequentie van de voeding	Controleer de stroomvoorziening
	Alleen voor 1~ ventilatoren: verkeerde of defecte condensator	Vervang de condensator
	Alleen voor 3~ ventilatoren: STER in plaats van DRIEHOEK aangesloten	In DRIEHOEK aansluiten Controleer het aansluitschema!
	3~ ventilator motoren: Fase uitval	Herstel alle 3 de fasen
Hoge stroomopname	Ventilator overbelast	Controleer of het ventilatiesysteem niet overbelast is (inlaat of uitlaat geblokkeerd?)
	Ventilatorsnelheid is te hoog	Controleer de voedingsspanning en de frequentie
Ongebruikelijke of excessieve geluiden	Waaier raakt de ventilator behuizing	Controleer de installatie, de bevestigingen en de uitlijning
	De ventilator werkt in overtrekkingsgebied	Verlaag de weerstand van het systeem (Inlaat of uitlaat geblokkeerd)
	Lagers zijn beschadigd of versleten	Vervang de lagers

Gedetailleerde reparatie- en vervangingsinstructies zijn verkrijgbaar bij uw leverancier of bij Vostermans Ventilation B.V.

Het wordt ten zeerste aanbevolen om alleen originele onderdelen te gebruiken voor service en reparaties.

9 Einde van de levensduur





Verwijdering


Aan het einde van de levensduur van dit product, voer het product af in overeenstemming met de voorschriften die van toepassing zijn in uw regio.

Recyclen

De hoofdbestanddelen die gebruikt zijn in de elektromotor zijn koper, staal en aluminium.

De meeste onderdelen van de ventilator zijn voorzien van het recycling symbool samen met de bijbehorende materiaal code om een goede recycling te vergemakkelijken. Sommige onderdelen zijn gemaakt van gemakkelijk te identificeren materialen zoals staal, en deze onderdelen zijn niet voorzien van een recyclingsymbool.

Symbool	Materiaal
	Polypropyleen
	ABS (Acrylonitril-butadien-styreen)
	Polyamide
	Glasvezel versterkt polypropyleen

Symbool	Materiaal
	Aluminium

Het is mogelijk dat niet alle bovenstaande symbolen op onderdelen van dit product voorkomen. Dat komt omdat het materiaal in kwestie dan niet in dit product aanwezig is.

10 EU-verklaring van overeenstemming

EU-Conformiteitsverklaring

Fabrikant en bevoegd om het technisch dossier samen te stellen:

Vostermans Ventilation B.V.
Parlevinkerweg 54
5928 NV, Venlo, Nederland

Wij verklaren onder onze eigen verantwoordelijkheid dat de producten:

V-FloFan met artikelnummers:

- Beginnend met T4 of T6
- En eindigend met 60

Deze EU-Conformiteitsverklaring is alleen geldig voor de hier vermelde producten die een CE-markering op hun typeplaat hebben.

Voldoen aan alle relevante bepalingen van:

- Richtlijn 2006/42/EU
- Richtlijn 2014/30/EU
- Richtlijn 2011/65/EU
- Richtlijn 2012/19/EU
- Verordening (EU) N° 327/2011

De volgende geharmoniseerde normen werden gehanteerd:

- EN-ISO 12100:2010
- EN 60204-1:2018
- EN ISO 13854:2019
- EN ISO 13857:2019
- EN-ISO 14120:2015
- EN-ISO 13732-1:2008
- EN-ISO 11201:2010
- EN-ISO 11203:2009/A1:2020
- EN-ISO 11204:2010
- EN 61000-6-2:2005/AC:2005
- EN 61000-6-4:2007/A1:2011
- EN 61800-3:2004/A1:2012
- EN IEC 63000:2018

De volgende andere normen en technische specificaties werden gehanteerd:

- ISO/TR 14121-2:2012
- EN 60204-1:2006/AC:2010
- ISO 9001:2015
- EN IEC 61000-6-2:2019
- EN IEC 61000-6-4:2019
- EN IEC 61800-3:2018
- EN 50581:2012
- EN ISO 5801:2017
- EN-ISO 12499:2008
- ISO 13348:2007
- EN-ISO 13857:2008
- EN 349:1993/A1:2008

Venlo, 31-10-2022

H.L.J. Vostermans, CEO



(Fan pro - DoC 2006_42_EC - v2.12)

Begrippenlijst

Destratificatie

Het mengen van lucht om gelaagdheid te elimineren en temperatuurnivellering te realiseren.

Explosieve atmosfeer

Een mengsel van lucht, onder atmosferische omstandigheden, met brandbare stoffen in de vorm van gassen, dampen, nevels of stof, waarin de verbranding zich na ontsteking uitbreidt tot het gehele onverbrande mengsel.

Vakmens

Individu met relevante technische opleiding, training of ervaring om risico's te kunnen waarnemen en risico's tijdens het gebruik van een product te kunnen vermijden.

Inhaltsverzeichnis

1 Vorbemerkung 19

2 Sicherheit 19

3 Informationen..... 20

3.1 Übersicht 20

3.2 Bestimmungsgemäßer Gebrauch..... 20

3.3 Technische Informationen 20

4 Installation..... 20

4.1 Mechanisch 21

4.2 Elektrisch 22

4.2.1 Thermischer Schutz 22

4.2.2 Drehzahlregelung 23

5 Inbetriebnahme..... 23

6 Betrieb 23

7 Wartung 24

7.1 Wartungszeitplan 24

7.2 Wartung Themen 24

8 Fehlerbehebung und Reparatur 24

9 Ende der Lebensdauer..... 25

10 EU-Konformitätserklärung..... 26

Glossar 26

1 Vorbemerkung

WICHTIG: LESEN SIE DIESE ANLEITUNG VOR DER ANWENDUNG SORGFÄLTIG DURCH

BEWAHREN SIE DIESE ANLEITUNG ZUM SPÄTEREN NACHSCHLAGEN AUF

Diese Anleitung ist Teil von dieses Ventilator und muss an jeden nachfolgenden Eigentümer und/oder Benutzer weitergegeben werden.

Wenden Sie sich an Ihren Lieferanten, wenn es Teile dieser Anleitung gibt, die Sie nicht verstehen. Die Einhaltung dieser Anweisungen gewährleistet einen sicheren und korrekten Gebrauch dieses Ventilators.

Zielgruppen

Allgemein

Diese Anleitungen sind für:

- Installateure, die mit der Montage (falls zutreffend) und/oder mechanischen Installation dieses Ventilators beauftragt sind.
- Elektriker, die mit der elektrischen Installation dieses Ventilators beauftragt sind.
- Bediener, die mit dem Betrieb dieses Ventilators beauftragt sind.
- Wartungstechniker, die mit der Wartung und Fehlersuche an diesem Ventilator beauftragt sind.

Anforderungen der Zielgruppe:

- Installateure müssen über ausreichende einschlägige Erfahrung oder Ausbildung in der Installation dieser Art von Ventilatoren verfügen.
- Elektriker müssen qualifizierte Elektriker sein.
- Betreiber müssen über ausreichende einschlägige Erfahrung oder Ausbildung im Betrieb dieser Art von Ventilatoren verfügen.

- Wartungstechniker müssen über ausreichende einschlägige Erfahrung oder Ausbildung in der Wartung und Fehlerbehebung bei dieser Art von Ventilatoren verfügen.



HINWEIS

Dieser Ventilator ist nur für den professionellen, industriellen oder kommerziellen Gebrauch bestimmt.

Verpackung

Wenn die Verpackungsmaterialien nicht mehr benötigt werden, entsorgen Sie sie nach den in Ihrer Nähe geltenden Vorschriften.

Änderung dieses Ventilators

Änderung diesem Ventilator ohne schriftliche Genehmigung von Vostermans Ventilation B.V. ist nicht gestattet.

Garantie erlischt, wenn dieser Ventilator ohne Genehmigung geändert wird.

Die EU-Konformitätserklärung ist nicht mehr gültig, wenn dieser Ventilator ohne Genehmigung geändert wird.

Impressum / Disclaimer

Der Lieferumfang kann von den gezeigten Produktabbildungen abweichen. Dieses Dokument wurde mit größter Sorgfalt erstellt. Die aufgeführten Informationen, Anweisungen und Teile sind zum Zeitpunkt der Erstellung dieses Dokuments aktuell.

Fehlerhafte Verwendung

Für Schäden, die durch unsachgemäßen Gebrauch entstehen, wird keine Haftung übernommen.

2 Sicherheit

Sicherheitshinweise

Ihre Sicherheit und die Sicherheit anderer sind sehr wichtig. Wichtige Sicherheitshinweise sind in dieser Anleitung zur Verfügung gestellt.

LESEN SIE DIESE HINWEISE SORGFÄLTIG

Eine Sicherheitshinweise warnt vor möglichen Gefahren, die Sie oder andere verletzen könnten. Jede Sicherheitshinweise wird von einem Sicherheitszeichen und einer von vier Signalworten voran: GEFAHR, WARNUNG, VORSICHT oder HINWEIS.

Erläuterung der in dieser Anleitung verwendeten Signalwörter




GEFAHR : Wenn Sie die Anweisungen nicht befolgen, werden Sie getötet oder schwer verletzt.




WARNUNG : Sie können getötet oder schwer verletzt werden, wenn Sie den Anweisungen nicht folgen.

VORSICHT : Sie können verletzt werden, wenn Sie Anweisungen nicht folgen.

HINWEIS : Wird verwendet, um Praktiken zu behandeln, die nicht mit Körperverletzungen zusammenhängen.

Erklärung der verwendeten Sicherheitssymbole

	Allgemeines Warnsymbol
	Warnung für Strom
	Warnung für heiße Oberflächen

	Warnung für automatische Aktivierung
	Warnung für Explosivstoffe
	Allgemeines Gebotszeichen

3 Informationen

3.1 Übersicht

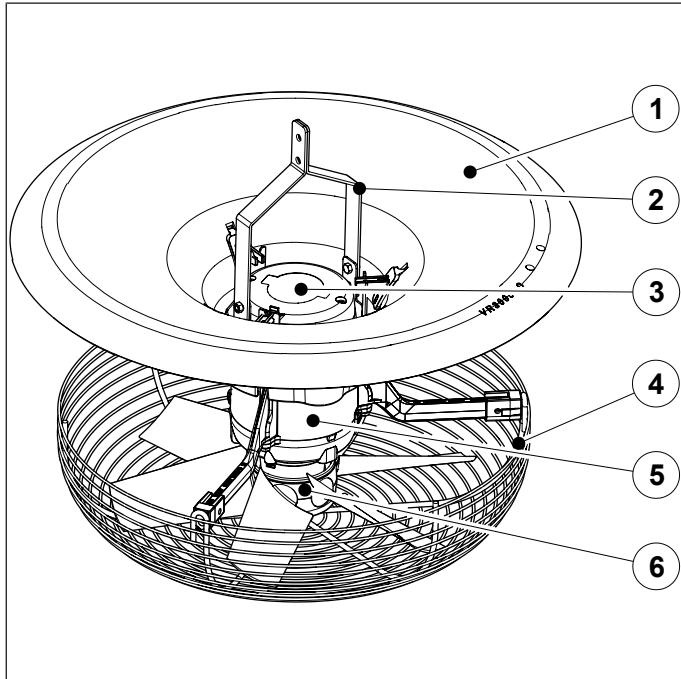


Abb. 1: V-FloFan Übersicht

1	Luftabweiser
2	Aufhängungshalterung
3	Ventilator Typenschild und Klemmenkastdeckel
4	Schutzeinrichtungen
5	Ventilator Motor
6	Flügelrad

Identifikation dieses Produktes

Ein Typenschild ist dauerhaft an der V-FloFan angebracht und darf nicht entfernt werden.

Das Typenschild zeigt elektrische, mechanische und Identifizierungsinformationen.

Jeder Ventilator hat eine eindeutige 14-stellige numerische Seriennummer, die auf dem Typenschild angegeben ist. Die Seriennummer muss bei jeder zukünftigen Korrespondenz über diesen Ventilator angegeben werden da es sich um die eindeutige Information zur Identifizierung des betreffenden Ventilator handelt.

Ein QR-Code ist auf dem Typenschild angezeigt. Dieser QR-Code enthält einen Link zu einer Informationsseite über dieses Produkt. Hier finden Sie eine digitale Kopie dieser Anleitung sowie weitere Informationen zu diesem Produkt.

3.2 Bestimmungsgemäßer Gebrauch

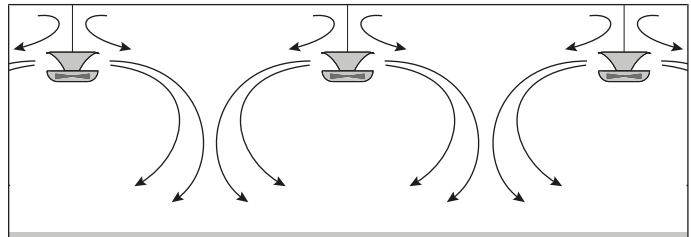




Abb. 2: Funktionsprinzip des VFloFan

Diese V-FloFan ist für die Destratifikation von Luft vorgesehen. Diese V-FloFan erzeugt eine vertikale Luftbewegung mit einer sehr geringen Luftgeschwindigkeit. Dieser Ventilator ist speziell für den Einsatz in Gewächshäusern konzipiert. Dieser Ventilator kann auch in Geflügelställen oder anderen Anwendungen eingesetzt werden, bei denen eine Destratifikation mit niedrigen Luftgeschwindigkeiten gewünscht ist.

 **HINWEIS**
Dieser Ventilator ist nur für Luft zu bewegen.

 **GEFAHR**
Verwenden Sie diesen Ventilator nicht in explosiven oder explosionsgefährdeten Bereichen.

3.3 Technische Informationen

Detaillierte technische Informationen finden Sie auf unserer Website, von der aus Sie technische Datenblätter einsehen und herunterladen können.

<http://productselector.vostermans.com>

4 Installation

► Vor Anfang der Installation

- Überprüfen Sie den Ventilator nach Erhalt und vergewissern Sie sich, dass er während des Transports nicht beschädigt wurde.
- Drehen Sie das Laufrad und/oder die Motorwelle kurz von Hand, um sicherzustellen, dass sie sich frei drehen.
- Überprüfen Sie alle Angaben auf dem Typenschild und vergewissern Sie sich, dass dieser Ventilator für die vorgesehene Anwendung geeignet ist.

Die Halterung ist für den Transport nach unten gekippt. Richten Sie die Halterung auf und befestigen Sie die Schrauben und Muttern.

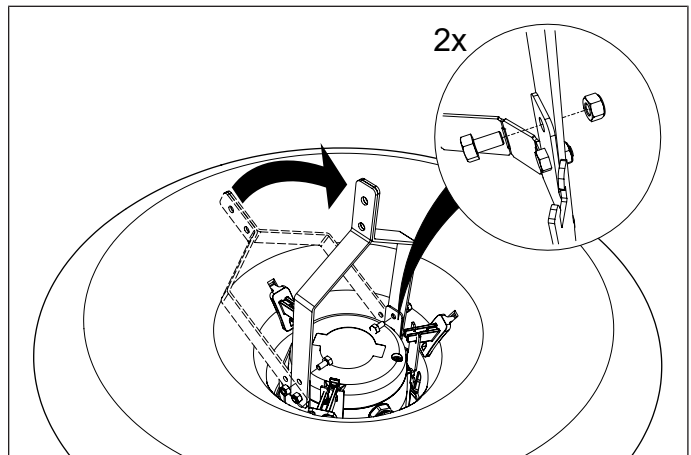


Abb. 3: Aufrichten der Halterung

4.1 Mechanisch

Einbaulage

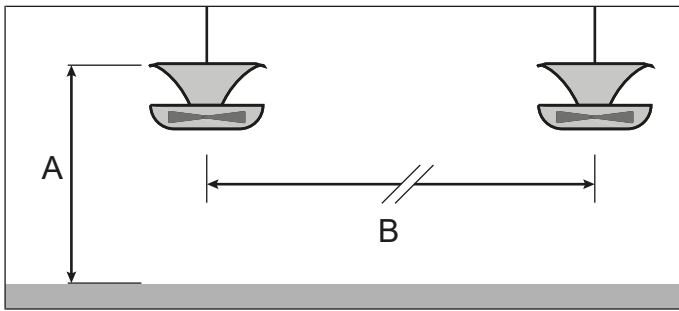


Abb. 4: V-FloFan Einbaulage

A	max. 5m für beste Ergebnisse
B	± 18m für beste Ergebnisse

Hindernisse

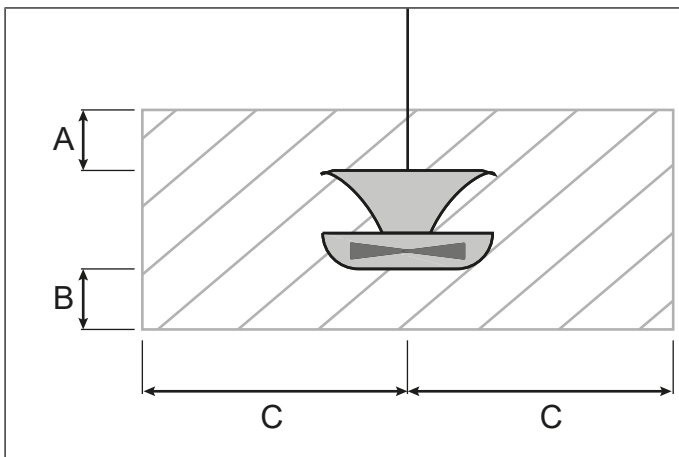


Abb. 5: V-FloFan hindernisfreier Bereich

A	>0,5m
B	>0,5m
C	>2m

Es ist sehr wichtig, dass sich innerhalb des angegebenen Bereichs keine Hindernisse befinden. Hindernisse in diesem Bereich stören den Luftstrom und können den Lüfter zum Schwingen bringen.

Aufhängung

Der Ventilator muss an einer starren Konstruktion aufgehängt werden. In Gewächshäusern sollte der Ventilator vorzugsweise direkt am Gerüst des Gewächshauses aufgehängt werden. Ein spezieller Halterungssatz ist als optionales Zubehör erhältlich. Dieser Halterungssatz passt zu den am häufigsten verwendeten Gewächshaus-Traversen. Wenden Sie sich für weitere Informationen an Ihren Lieferanten.

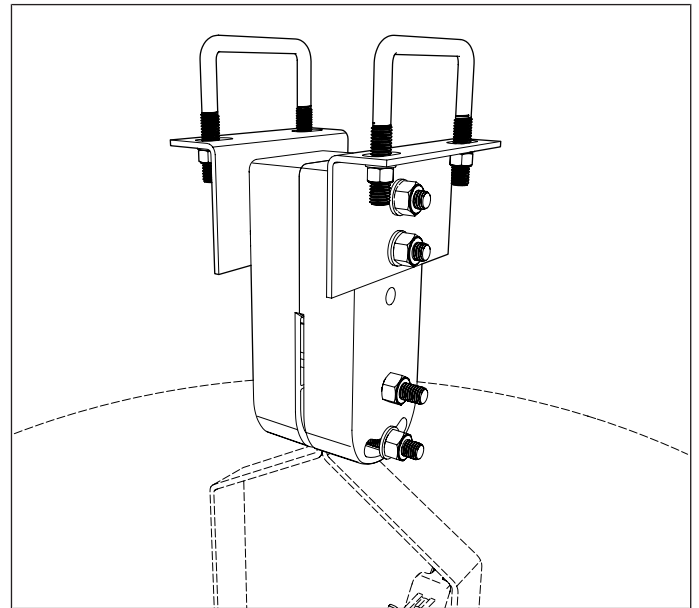


Abb. 6: V-FloFan optionale Halterung für Gewächshäuser

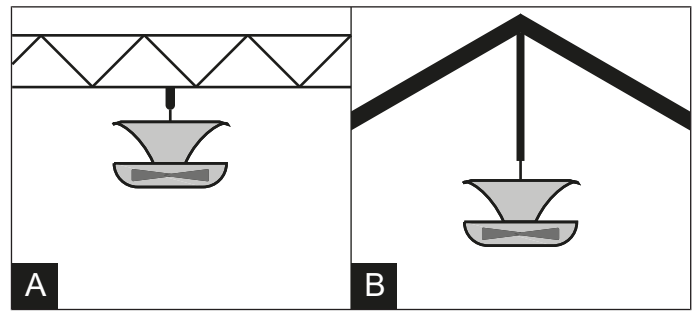


Abb. 7: Aufhängungsbeispiele V-FloFan

A	in einem Gewächshaus mit der speziellen Traversenhalterung
B	absenken vom First eines Gebäudes mittels eines Profils

Beachten Sie immer Folgendes:

- Der Ventilator muss an einer starren Konstruktion aufgehängt werden.
- Wenn der Ventilator nicht direkt an z. B. einer Traverse oder Pfette aufgehängt werden kann, verwenden Sie starre Winkeleisen oder Rohrprofile zur Aufhängung des Ventilators.



WARNUNG

Das Profil muss so steif sein, dass es sich in keine Richtung verbiegt. Dadurch wird eine Resonanz durch die vom Ventilator erzeugten Kräfte verhindert.



WARNUNG

Hängen Sie den Ventilator nicht mit Ketten, Seilen, Stahlkabeln oder Ähnlichem auf.
Der V-FloFan wird sich drehen und/oder schwanken.

Schutzeinrichtungen

Dieser Ventilator wird standardmäßig mit einer Schutzeinrichtung an der Unterseite (Ansaugseite) geliefert. Dieser Ventilator ist für die Installation in einer Höhe vorgesehen, in der eine Schutzvorrichtung an der Oberseite (Auslassseite) normalerweise nicht erforderlich ist.

HINWEIS

Der Ventilator muss gemäß den örtlichen Vorschriften mit einer Schutzeinrichtung versehen werden

Kondensat-Abflusslocher

Der Ventilatormotor hat Ablassöffnungen, damit Kondenswasser, das sich im Inneren des Motors bilden kann, den Motor verlassen kann. Nach der Installation muss die Ablassöffnung am tiefsten Punkt des Motors offen sein, die anderen Ablassöffnungen müssen geschlossen sein.

Ersatz-Stopfen für die Kondensatablauflocher werden mit dem Ventilator geliefert. Bewahren Sie alle Ablassstopfen auf, da sie während der Nassreinigung vorübergehend wieder in die offenen Ablassöffnungen eingesetzt werden müssen.

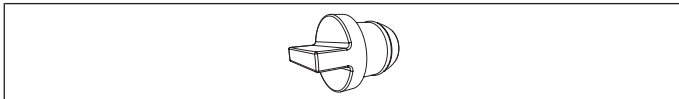


Abb. 8: Stopf für Kondensatablaufloch

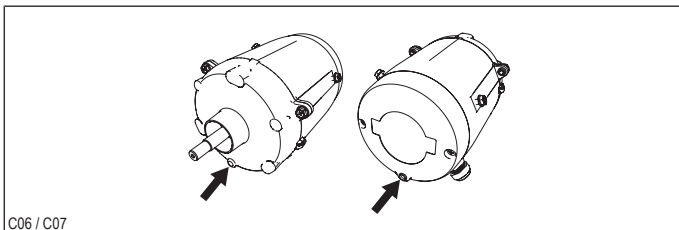


Abb. 9: Positionen der Kondensatablauföcher

4.2 Elektrisch

Schaltplan

Der Schaltplan ist auf der Innenseite des Klemmenkastendeckels abgebildet. Der Schaltplan ist auch auf dem technischen Datenblatt abgebildet.

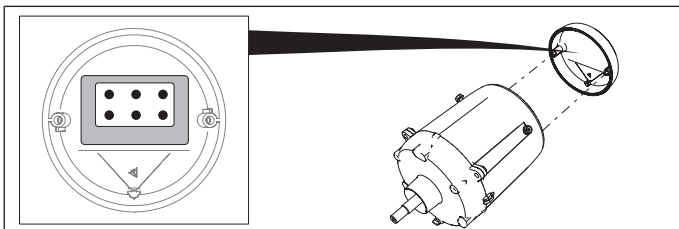


Abb. 10: Lage des Schaltplans

HINWEIS

Der elektrische Anschluss muss von einem qualifizierten Elektriker durchgeführt werden. Elektrische Anschlüsse müssen in Übereinstimmung mit den örtlichen Vorschriften vorgenommen werden.

Überprüfen Sie das Typenschild und vergewissern Sie sich, dass dieser Ventilator für die verfügbare Stromversorgung geeignet ist.

Bei 3~ Ventilatormotoren: Überprüfen Sie, ob STERN / DREIECK auf der Klemmenblock richtig konfiguriert ist.

Steuerung

Dieser Ventilator wird ohne Steuerung oder Steuersystem geliefert. Für den Betrieb des Ventilators muss eine Steuerung oder ein Steuersystem vorgesehen werden.

Isolator

Dieser Ventilator wird ohne elektrischen Isolator geliefert. Es muss ein elektrischer Isolator vorgesehen werden, um die sichere Wartung und Fehlerbehebung zu erleichtern.

Erdung

 Der Ventilator muss geerdet werden. Erden Sie den Ventilator gemäß den örtlichen Vorschriften.

HINWEIS

Überstromschutz

Die Verwendung einer individuellen, separaten Überstromschutzeinrichtung pro Ventilator wird dringend empfohlen.

HINWEIS

Überlastungsschutz

Die Verwendung einer individuellen, separaten Überlastschutzeinrichtung (Motorschutzschalter) pro Ventilator wird dringend empfohlen.

4.2.1 Thermischer Schutz

1~ Thermischer Schutz des Ventilatormotors

Thermische Detektoren sind standardmäßig in 1~ Ventilatormotoren eingebaut. Thermische Detektoren sind vom Thermostattyp TB: Thermostat öffnet bei Temperaturerhöhung.

Bei 1~ Ventilatormotoren ist der Thermostat (TB) standardmäßig in Serien mit der Phase (L) der Versorgung verdrahtet. Der Motor ist als solcher selbstrückstellend: Wenn der Motor überhitzt wird, schaltet das Thermostat den Motor automatisch ab, und wenn der Motor abgekühlt ist, startet er automatisch wieder.

Das Vorhandensein des Textes "Thermally Protected" auf dem Typenschild und/oder Datenblatt weist darauf hin, dass der thermische Schutz im 1~ Lüftermotor eingebaut ist und dass er in Serien mit der Phase (L) der Versorgung verdrahtet ist.

WARNUNG

Wenn der unerwartete Start des Motors durch das Thermostat eine Gefahr darstellen kann oder durch örtliche Vorschriften verboten ist, muss das Thermostat an einen Steuerkreis angeschlossen werden, der den Motor erst wieder starten lässt, wenn der Kreis manuell zurückgesetzt wird.



3~ Thermischer Schutz des Ventilatormotors (optional erhältlich)

Thermische Detektoren sind optional in 3~ Ventilatormotoren erhältlich. Thermische Detektoren sind vom Thermostattyp TB: Thermostat öffnet bei Temperaturerhöhung.

Bei 3~ Ventilatormotoren sind die Thermostate (TB) standardmäßig auf separate Klemmen auf der Klemmenblock verdrahtet. Hier kann ein externer Steuerkreis angeschlossen werden. **HINWEIS! Die Thermostate in 3~ Ventilatormotoren können nicht in Serien mit der Stromversorgung geschaltet werden.**

Maximale Thermostat (TB) Belastung

Beim Anschluss eines externen Steuerkreises an die Thermostate sind die folgenden Belastungsgrenzen zu beachten:


AC 	≤ 500 V
	≤ 1,6 A Cos φ ≥ 0,6
DC 	≤ 12 V
	≤ 40 A

Tab. 1: Maximale Thermostat (TB) Belastung


4.2.2 Drehzahlregelung

Überprüfen Sie, ob dieser Ventilator für Drehzahlregelung geeignet ist. Auf dem Datenblatt und dem Typenschild können folgende (Kombination von) Codierungen gefunden werden:

- F = geeignet für Frequenzregelung / VFD (Variable Frequency Drive)
- E = geeignet für elektronische Spannungsregelung (TRIAC / Phasenschnitt)
- T = geeignet für Transformator-Spannungsregelung

 **WARNUNG**
Wenn keiner dieser Kodierungen angezeigt wird, kann dieser Ventilator nicht drehzahlregelt werden!

- #### Frequenzregelung / VFD (Variable Frequency Drive)
- Reduzieren Sie die Frequenz nicht unter 20% der auf dem Typenschild angegebenen Nennfrequenz.
 - Bei Verwendung eines Frequenzumrichters müssen die Verdrahtungsanweisungen des Herstellers des Frequenzumrichters befolgt werden.

 **WARNUNG**
Erhöhen Sie die Frequenz nicht über den auf dem Typenschild angegebenen Nennwert hinaus

- #### Elektronische Spannungsregelung (TRIAC / SOLID-STATE / Phasenschnitt)
- Reduzieren Sie die Spannung nicht unter 40% der auf dem Typenschild angegebenen Nennspannung.
 - Durch diese Art der Regelung können Motorgeräusche (Brummen) auftreten

- #### Transformator-Spannungsregelung
- Reduzieren Sie die Spannung nicht unter 40% der auf dem Typenschild angegebenen Nennspannung.

5 Inbetriebnahme

Überprüfen Sie dies vor der ersten Inbetriebnahme:

1. Installation und elektrischer Anschluss sind ordnungsgemäß abgeschlossen.
2. Innerhalb des Ventilators und des Ventilatorgehäuses befinden sich keine Fremdmaterialien.
3. Alle erforderlichen Sicherheitsvorrichtungen wie Schutzeinrichtungen vorhanden sind.

Erste Inbetriebnahme

1. Schalten Sie die Stromversorgung kurz ein und prüfen Sie, ob sich das Laufrad in die richtige Richtung dreht. Korrigieren Sie, falls erforderlich:

- Bei 3~ Ventilatoren tauschen Sie 2 beliebige der 3 Phasen der Versorgung aus.
 - Bei 1~ Ventilatoren wenden Sie sich an Ihren Lieferanten.
2. Lässt den Ventilator laufen und überprüft ihn auf leisen (keine ungewöhnlichen Geräusche) und vibrationsarmen Betrieb. Prüfen Sie, ob die Stromaufnahme innerhalb der auf dem Typenschild und Datenblatt angegebenen Vollastgrenzen liegt.
 3. Lesen Sie den Abschnitt zur Fehlerbehebung in dieser Anleitung, wenn etwas ungewöhnlich erscheint.

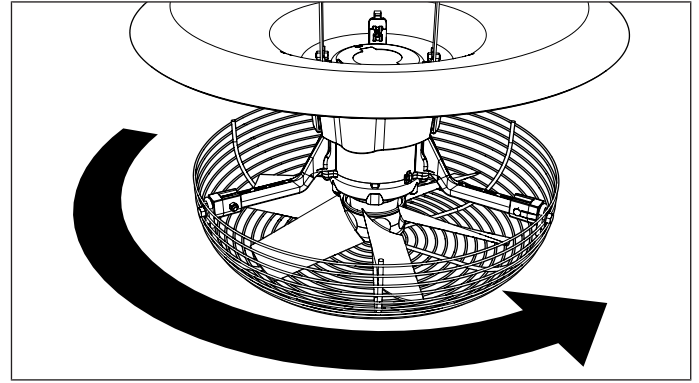



Abb. 11: V-FloFan Flügelrad Drehrichtung


6 Betrieb


Immer wachsam sein, wenn der Lüfter in Betrieb ist. Schalten Sie den Ventilator sofort aus und trennen Sie ihn von der Stromversorgung, wenn etwas ungewöhnlich erscheint. Lesen Sie den Abschnitt zur Fehlerbehebung in dieser Anleitung, wenn etwas ungewöhnlich erscheint.

 **HINWEIS**
Der V-FloFan ist sehr empfindlich gegenüber anderen Luftströmen, die eine gute Funktion stören können:
Verwenden Sie keine Ventilatoren mit horizontalem Luftstrom, wenn die V-FloFan in Betrieb ist.
Betreiben Sie in Gewächshäusern der V-FloFan nicht, wenn die Fensterlüftungen geöffnet sind.

Unregelmäßiger Gebrauch

Wenn der Ventilator weniger als einmal im Monat eingesetzt wird, lassen Sie den Ventilator jeden Monat mindestens 2 Stunden lang mit voller Drehzahl laufen, um Feuchtigkeitsbildung im Ventilatormotor zu vermeiden und das Lagerschmiermittel in gutem Zustand zu halten.

 **GEFAHR**
Wenn der eingebaute Theroschutz in Reihe mit der Stromversorgung liegt und aktiviert wird, startet der Motor des Ventilators nach der Abkühlung automatisch wieder.
Verletzungsgefahr durch unerwarteten Start.

 **VORSICHT**
Der Lüftermotor kann während des Betriebs heiß werden
Berühren Sie es nicht um Verbrennungen zu vermeiden

7 Wartung



GEFAHR

Schalten Sie den Ventilator vor Beginn der Wartung aus und trennen Sie ihn vollständig von der Stromversorgung.



WARNUNG

Alle beweglichen Teile müssen vor Beginn der Wartung vollständig stillstehen.

7.1 Wartungszeitplan

► Wartungsarbeiten - JEDEM MONAT AUSFÜHREN

1. Überprüfen Sie das Lüftergehäuse auf Defekte und entfernen Sie angesammelten Schmutz.
2. Überprüfen Sie den Motor und entfernen Sie alle Verschmutzungen, die sich am Motor und zwischen den Motorkühlrippen angesammelt haben.
3. Überprüfen Sie das Flügelrad auf Defekte und entfernen Sie angesammelten Schmutz.
4. Prüfen Sie den Zustand der Schutzeinrichtungen (falls vorhanden) und entfernen Sie angesammelten Schmutz.

► Wartungsarbeiten - JEDE 3 MONATE AUSFÜHREN

1. Prüfen Sie den Zustand der Kugellager.
2. Prüfen Sie die Festigkeit von Verbindungselementen und Befestigungen.

► Wartungsaufgaben - JÄHRLICH AUSFÜHREN

1. Nur für 1 ~ Lüftermotoren: Überprüfen Sie die Kondensatorkapazität.

7.2 Wartung Themen

Reinigung

In Anwendungsbereichen mit hoher Verschmutzung sollten die Reinigungsintervalle entsprechend angepasst werden.

Die Reinigung erfolgt vorzugsweise mit einer weichen Bürste. Verwenden Sie keine aggressiven Reinigungsmittel, Lösungsmittel oder Chemikalien zur Reinigung.

Nassreinigung

Nassreinigung ist mit einem Niederdruck-Wasserstrahl erlaubt. Vermeiden Sie es, Wasserstrahlen so weit wie möglich auf Lager und elektrische Anschlüsse zu richten.

Wenn eine Nassreinigung geplant ist, schließen Sie alle offenen Kondensatablauföffnungen, bevor Sie mit der Nassreinigung beginnen.



WARNUNG

Keine Hochdruckreiniger benutzen.

Wasser kann in elektrische Verbindungen und Lager eindringen.

► Nach der Nassreinigung

1. Öffnen Sie die Kondensatablauföffnung am tiefsten Punkt des Ventilator-motors.
2. Lassen Sie den Ventilator 2 Stunden lang mit voller Drehzahl laufen, um Feuchtigkeit zu entfernen, die möglicherweise in den Ventilator-motor gelangt ist.

Lager

Die im Ventilator und/oder Ventilator-motor verwendeten Lager sind wartungsfrei und auf Lebensdauer geschmiert. Durchschnittliche Lebensdauer im Normalbetrieb > 30,000 Stunden.

Defekte in den Lagern können in der Regel durch das Hören erkannt werden. Wenn die Welle / das Laufrad von Hand gedreht wird, sollte es frei mit einem glatten gleichförmigen Schall bewegen. Quietsch- oder Schleifgeräusche deuten darauf hin, dass die Lager möglicherweise ausgetauscht werden müssen.

Laufrad

Die Reinigung des Laufrads ist sehr wichtig. Ein verschmutztes Laufrad leidet unter Unwucht, die zu Vibrationen führt. Ein verschmutztes Laufrad führt auch zu einer reduzierten Lüfterleistung und einem reduzierten Lüfterwirkungsgrad.

Kondensator (1 ~ Ventilator-motor)

Kondensatorkapazität verringert sich langsam über die Zeit. Durchschnittliche Lebensdauer beträgt ± 30,000 Stunden. Ersetzen Sie den Kondensator, wenn die Kapazität unter den auf dem Kondensator angegebenen Wert gefallen ist.

8 Fehlerbehebung und Reparatur



WARNUNG

Fehlersuche und Reparaturen dürfen nur von Fachpersonen durchgeführt werden!

Fehler	Mögliche Ursache	Mögliche Lösung
Übermäßige Vibration	Flügelradunwucht -> Flügelrad beschädigt	Flügelrad ersetzen
	Flügelradwucht -> Flügelrad verschmutzt	Flügelrad reinigen
	Lager beschädigt oder abgenutzt	Lager wechseln
Ventilator startet nicht	Ventilator wird nicht mit Strom versorgt	Überprüfen Sie alle Stromversorgungen Sicherung / Schutzschalter prüfen
	(Falls vorhanden) VFD (Variable Frequency Drive) defekt	VFD Überprüfen (siehe VFD Anweisungen des VFD Herstellers)
Ventilator startet nicht (Versorgungsspannung an den Klemmen vom Motor ist vorhanden)	Thermoschutz aktiviert (Ventilator-motor hat sich überhitzt)	Ventilator-motor reinigen Überprüfen Sie, ob das Lüftungssystem überlastet ist (Einlass oder Auslass blockiert?) Überprüfen Sie, ob die Versorgungsspannung nicht zu hoch oder zu niedrig ist
	Flügelrad blockiert	Entfernen Sie die Blockade.
	Nur für 1 ~ Ventilator-motoren: falscher oder defekter Kondensator	Startkondensator ersetzen

Fehler	Mögliche Ursache	Mögliche Lösung
	Temperatur zu niedrig für Lagerfett	Betreiben Sie den Ventilator nicht außerhalb des Umgebungstemperaturbereichs, wie auf dem Typenschild und dem technischen Datenblatt angegeben
Der Motor des Ventilators überhitzt während des Betriebs.	Ventilator überlastet	Überprüfen Sie, ob das Lüftungssystem überlastet ist (Einlass oder Auslass blockiert?)
	Der Ventilatormotor ist durch Verschmutzung der Kühlrippen überhitzt.	Ventilatormotor reinigen
	Versorgungsspannung zu hoch oder zu niedrig	Überprüfen Sie alle Stromversorgungen
	Falsche Versorgungsfrequenz	Überprüfen Sie alle Stromversorgungen
	Nur bei 3~ Motoren: Phasenspannungsungleichheit	Überprüfen Sie alle Stromversorgungen
	Nur für 1~ Motoren: falscher oder defekter Kondensator	Startkondensator ersetzen
Ventilator dreht in falscher Richtung	1 ~ Ventilatormotoren: Kondensator falsch angeschlossen	Anschluss nach Schaltplan (Kontakt zum Lieferanten)
	3 ~ Ventilatormotoren: Stromversorgung falsch angeschlossen	Tauschen Sie 2 der 3 Phasen der Stromversorgung
Ventilator Drehzahl (rpm) zu niedrig	Versorgungsspannung zu niedrig	Überprüfen Sie alle Stromversorgungen
	Falsche Versorgungsfrequenz	Überprüfen Sie alle Stromversorgungen
	Nur für 1~ Ventilatoren: falscher oder defekter Kondensator	Startkondensator ersetzen
	Nur für 3~ Ventilatoren: STAR statt DELTA angeschlossen	Als DELTA anschließen Schaltplan beachten!
	3~ Ventilatormotoren: Phasenausfall	Alle 3 Phasen wiederherstellen
Hohe Leistungsaufnahme	Ventilator überlastet	Überprüfen Sie, ob das Lüftungssystem überlastet ist (Einlass oder Auslass blockiert?)
	Ventilator Drehzahl zu hoch.	Prüfen Sie die Versorgungsspannung und -frequenz
Ungewöhnliche oder übermäßige Geräusche	Laufrad trifft auf Ventilatorgehäuse	Überprüfen Sie die Installation und Befestigung sowie die Ausrichtung
	Der Ventilator arbeitet im Überziehungspunkt	Systemwiderstand reduzieren (Einlass- oder Auslass blockiert)
	Lager beschädigt oder abgenutzt	Lager wechseln

Detaillierte Reparatur- und Austauschweisungen sind bei Ihrem Lieferanten oder bei Vostermans Ventilation B.V. erhältlich.

Es wird dringend empfohlen, für Service und Reparaturen ausschließlich Originalteile zu verwenden.

9 Ende der Lebensdauer





Entsorgung


Entsorgen Sie diesen Ventilator am Ende seiner Lebensdauer ordnungsgemäß gemäß den in Ihrem Gebiet geltenden Vorschriften.

Recycling

Die Hauptmaterialien die in dem Elektromotor verwendet werden, sind Kupfer, Stahl und Aluminium.

Die meisten Ventilatorteile tragen das Recycling-Symbol mit dem Materialcode, um ein ordnungsgemäßes Recycling zu ermöglichen. Einige Teile bestehen aus leicht zu identifizierenden Materialien wie Stahl und tragen kein Recycling-Symbol.

Symbol	Material
	Polypropylen
	ABS (Acrylnitril-butadien-styrol)
	Polyamid
	Glasfaserverstärktem Polypropylen

Symbol	Material
	Aluminium

Nicht alle der oben genannten Symbole können auf Teilen dieses Produkts erscheinen. Dies liegt daran, dass das betreffende Material dann nicht in diesem Produkt enthalten ist.

10 EU-Konformitätserklärung

EU-Konformitätserklärung

Hersteller und berechtigt die technischen Unterlagen zu erstellen:

Vostermans Ventilation B.V.

Parlevinkerweg 54

5928 NV, Venlo, Niederlande

Wir erklären in alleiniger Verantwortung, dass die Produkte:

V-FLoFan mit Artikelnummern:

- beginnend mit T4 oder T6
- Und endend mit 60

Diese EU-Konformitätserklärung ist nur für die hier aufgeführten Produkte gültig, die ein CE-Zeichen auf dem Typenschild haben.

Erfüllen alle relevanten Bestimmungen von:

- Richtlinie 2006/42/EG
- Richtlinie 2014/30/EU
- Richtlinie 2011/65/EU
- Richtlinie 2012/19/EU
- Verordnung (EU) N° 327/2011

Folgende harmonisierte Normen wurden verwendet:

- EN-ISO 12100:2010
- EN 60204-1:2018
- EN ISO 13854:2019
- EN ISO 13857:2019
- EN-ISO 14120:2015
- EN-ISO 13732-1:2008
- EN-ISO 11201:2010
- EN-ISO 11203:2009/A1:2020
- EN-ISO 11204:2010
- EN 61000-6-2:2005/AC:2005
- EN 61000-6-4:2007/A1:2011
- EN 61800-3:2004/A1:2012
- EN IEC 63000:2018

Die folgenden andere technischen Normen und Spezifikationen wurden verwendet:

- ISO/TR 14121-2:2012
- EN 60204-1:2006/AC:2010
- ISO 9001:2015
- EN IEC 61000-6-2:2019
- EN IEC 61000-6-4:2019
- EN IEC 61800-3:2018

- EN 50581:2012
- EN ISO 5801:2017
- EN-ISO 12499:2008
- ISO 13348:2007
- EN-ISO 13857:2008
- EN 349:1993/A1:2008

Venlo, 31-10-2022

H.L.J. Vostermans, CEO



(Fan pro – DoC 2006_42_EC – v2.12)

Glossar

Destratifikation

Das Mischen von Luft, um Luftschichten zu beseitigen und einen Temperatureausgleich zu erreichen.

Explosive Atmosphäre

Gemisch aus Luft unter atmosphärischen Bedingungen mit brennbaren Stoffen in Form von Gasen, Dämpfen, Nebeln oder Stäuben, bei dem sich die Verbrennung nach erfolgter Zündung auf das gesamte unverbrannte Gemisch ausbreitet.

Fachperson

Person mit einschlägiger technischer Ausbildung, Schulung oder Erfahrung, die es ermöglicht, Risiken wahrzunehmen und Gefahren zu vermeiden, die bei der Verwendung eines Produkts auftreten.

Table des matières

1	Introduction	27
2	Sécurité	27
3	Information	28
3.1	Aperçu	28
3.2	Utilisation prévue.....	28
3.3	Informations techniques	28
4	Installation	28
4.1	Mécanique.....	29
4.2	Installation électrique.....	30
4.2.1	Protection thermique	30
4.2.2	Contrôle de la vitesse.....	31
5	Mise en service	31
6	Utilisation	31
7	Entretien	31
7.1	Programme de maintenance	32
7.2	Sujets d'entretien	32
8	Dépannages et réparations	32
9	Fin de vie	33
10	Déclaration de conformité UE	34
	Glossaire	34

1 Introduction

ATTENTION : AVANT D'UTILISER, NOUS VOUS INVITONS À LIRE ATTENTEMENT CES INSTRUCTIONS

CONSERVEZ CES INSTRUCTIONS POUR VOUS Y RÉFÉRER ULTÉRIEUREMENT.

Ces instructions font partie de ce ventilateur et doivent être transmises à tout propriétaire ultérieur et / ou de l'utilisateur.

Contactez votre fournisseur s'il y a des parties de ces instructions que vous ne comprenez pas. Le respect de ces instructions garantira une utilisation sûre et correcte de ce ventilateur.

Groupes cibles

Général

Ces instructions sont destinées à:

- Les installateurs chargés de l'assemblage (le cas échéant) et / ou l'installation mécanique de ce ventilateur.
- Électriciens chargé de l'installation électrique de ce ventilateur.
- Opérateurs chargés du fonctionnement de ce ventilateur.
- Les techniciens de maintenance chargés de l'entretien et le dépannage de ce ventilateur.

Exigences du groupe cible:

- Les installateurs doivent avoir une expérience pertinente suffisante ou une formation dans l'installation de ce type de ventilateurs.
- Un électricien doit être des électriciens qualifiés.
- Les opérateurs doivent avoir une expérience ou une formation pertinente suffisante pour faire fonctionner ce type de ventilateurs.

- Les techniciens de maintenance doivent avoir une expérience ou une formation suffisante et pertinente dans l'entretien et le dépannage de ce type de ventilateurs.



AVIS

Ce ventilateur est destiné à un usage professionnel, industriel ou commercial uniquement.

Emballage

Si les matériaux d'emballage ne sont plus nécessaires, disposer conformément à la réglementation en vigueur dans votre région.

La modification de ce ventilateur

Modification de ce ventilateur sans autorisation écrite de Vostermans Ventilation B.V. n'est pas autorisée.

La garantie sera annulée si ce ventilateur est modifié sans autorisation.

La déclaration de conformité UE n'est plus valable si ce ventilateur est modifié sans autorisation.

Mentions légales / Avertissement

La portée de la livraison peut varier d'images de produits présentés. Ce document a été créé avec beaucoup de soin. Les informations, les instructions et les pièces mentionnées sont à jour à la date de ce document a été publié.

Utilisation inappropriée

Nous déclinons toute responsabilité pour les dommages résultant d'une mauvaise utilisation.

2 Sécurité

Messages de sécurité

Votre sécurité et celle des autres est importante. Des messages de sécurité importants sont fournis dans ces instructions.

LIRE ATTENTIVEMENT CES MESSAGES

Un message de sécurité vous signale les dangers potentiels qui pourraient vous blesser ou blesser d'autres personnes. Chaque message de sécurité est précédé d'un symbole de sécurité et l'un des quatre mots de signal: DANGER, AVERTISSEMENT, ATTENTION ou AVIS.

Explication des mots de signalisation utilisés dans ces instructions




DANGER : Vous serez tué ou gravement blessé si vous ne suivez pas les instructions.




AVERTISSEMENT : Vous pouvez être tué ou gravement blessé si vous ne suivez pas les instructions.

ATTENTION : Vous pouvez être blessé si vous ne suivez pas les instructions.

AVIS : Il est utilisé pour lutter contre les pratiques non liées à des blessures physiques.

Explication des symboles sécurité utilisés

	Symbole d'avertissement général
	Avertissement pour l'électricité
	Attention aux surfaces chaudes

	Avertissement pour l'activation automatique
	Avertissement pour les matériaux explosifs
	Signal de comportement obligatoire générique

3 Information

3.1 Aperçu

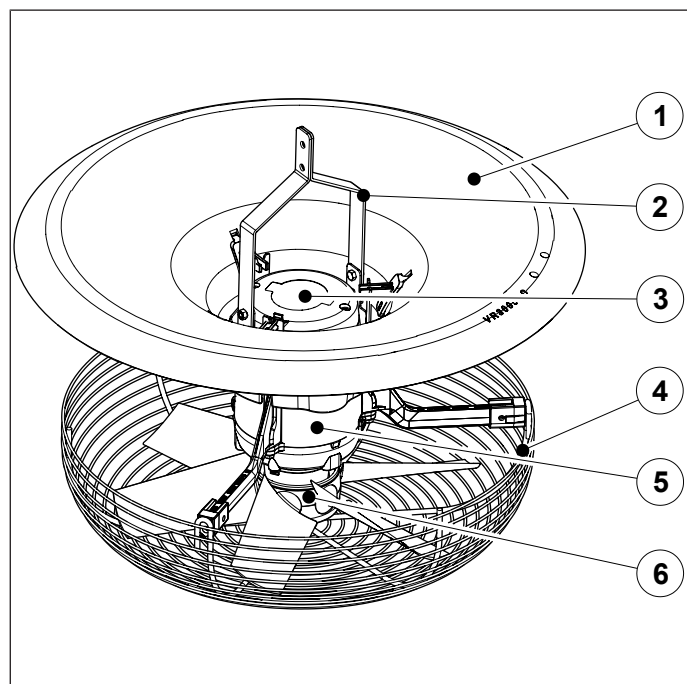


Fig. 1: Aperçu du V-FloFan

1	Défecteur d'air
2	Suspension bracket
3	Plaque signalétique du ventilateur et le couvercle du boîtier de terminal
4	Protection
5	Moteur du ventilateur
6	Hélice

Identification du produit

Une plaque d'identification est fixée en permanence au V-FloFan et elle ne doit pas être supprimée.

La plaque d'identification affiche les informations électriques, mécaniques et d'identification.

Chaque ventilateur a un numéro de série numérique unique à 14 chiffres qui est indiqué sur la plaque d'identification. Le numéro de série doit être fourni dans toute correspondance future concernant ce ventilateur car il s'agit de l'information unique utilisée pour identifier le ventilateur en question.

Un QR-code est affiché sur la plaque d'identification. Ce QR-Code contient un lien vers une page d'information sur ce produit. Vous trouverez ici une copie numérique de ces instructions ainsi que d'autres informations sur ce produit.

3.2 Utilisation prévue

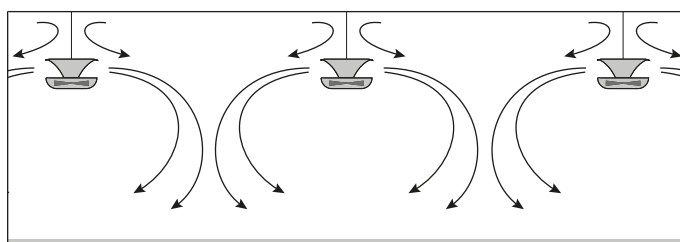



Fig. 2: Principe de fonctionnement VFloFan

Ce V-FloFan est destiné à la déstratification de l'air. Ce V-FloFan crée un mouvement d'air vertical avec une vitesse d'air très faible. Ce ventilateur est spécialement conçu pour être utilisé dans les serres. Ce ventilateur peut également être utilisé dans les poulaillers ou d'autres applications où la déstratification avec de faibles vitesses d'air est souhaitée.

 **AVIS**
Ce ventilateur est destiné à déplacer de l'air seulement.

 **DANGER**
N'utilisez pas ce ventilateur dans des atmosphères explosives ou potentiellement explosives.

3.3 Informations techniques

Pour plus d'informations techniques détaillées s'il vous plaît visitez notre site Web à partir duquel peuvent être consultées et téléchargées fiches techniques.

<http://productselector.vostermans.com>

4 Installation

► Avant de commencer l'installation

1. Vérifiez le ventilateur après avoir reçu et assurez-vous qu'il n'a pas été endommagé pendant le transport.
2. En bref tourner la roue et / ou de l'arbre du moteur à la main pour vous assurer qu'ils tournent librement.
3. Vérifiez toutes les informations figurant sur la plaque d'identification et vérifiez que ce ventilateur convient à l'application prévue.

Le support est incliné vers le bas pour des raisons de transport. Redressez le support et fixer les boulons et les écrous.

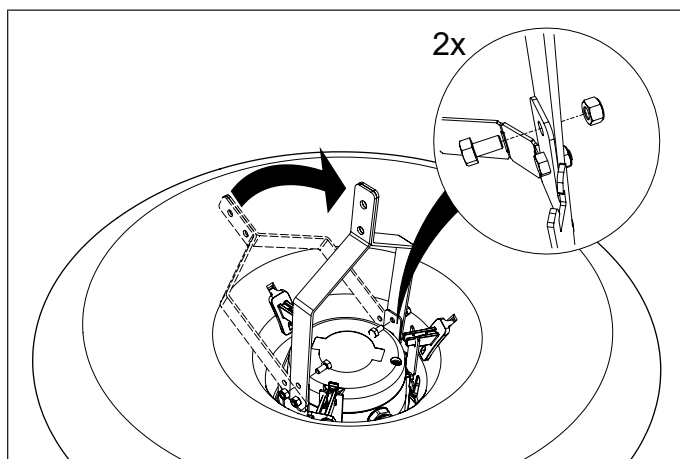


Fig. 3: Redressement du support

4.1 Mécanique

Position d'installation

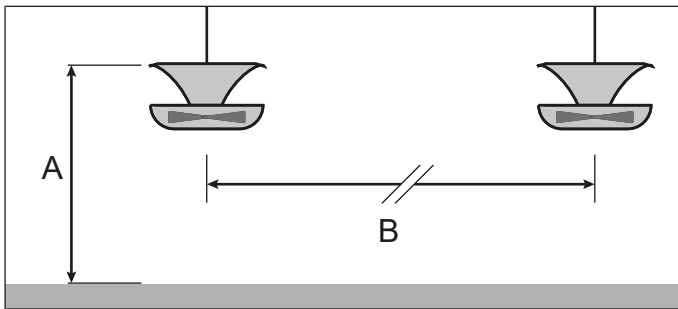


Fig. 4: V-FloFan position d'installation

A	max 5m pour obtenir les meilleurs résultats
B	$\pm 18m$ pour obtenir les meilleurs résultats

Les obstacles

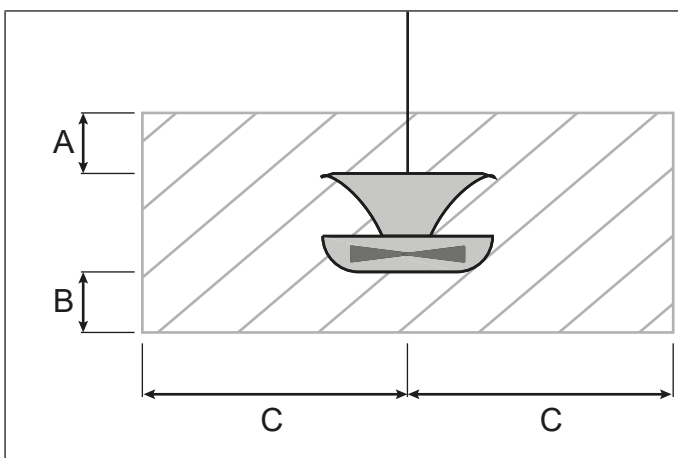


Fig. 5: Zone sans obstacle V-FloFan

A	> 0,5m
B	> 0,5m
C	> 2m

Il est très important qu'il n'y ait pas d'obstacles dans la zone indiquée. Les obstacles dans ce domaine va perturber le flux d'air et peut provoquer le ventilateur à vibrer.

Suspension

Le ventilateur doit être suspendu à une structure rigide. Dans les serres, le ventilateur doit de préférence être suspendu directement de la ferme de la serre. Un kit de support spécial est disponible en tant qu'accessoire optionnel. Ce kit de support s'adapte aux treillis de serre les plus couramment utilisés. Contactez votre fournisseur pour plus d'informations.

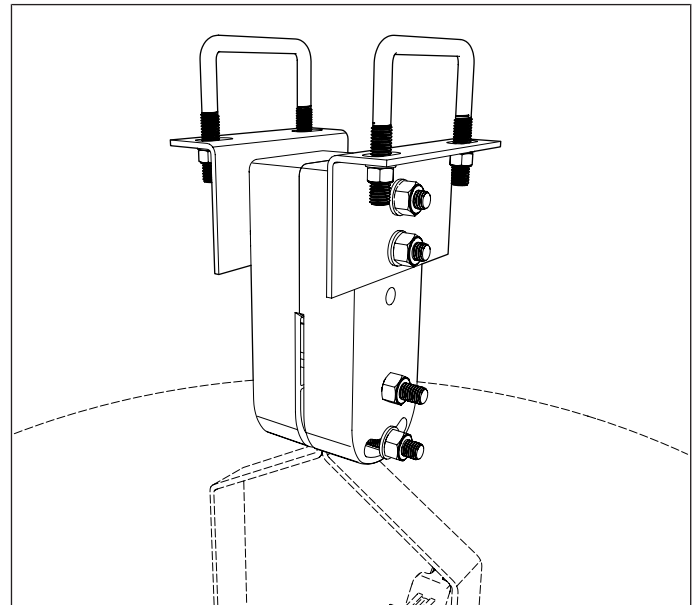


Fig. 6: V-FloFan support en option pour les serres

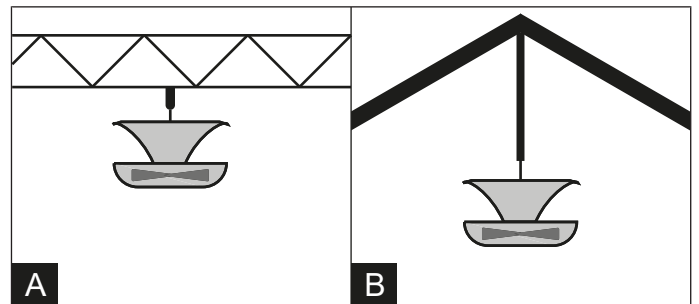


Fig. 7: Des exemples de suspension V-FloFan

A	dans une serre avec le support de treillis spécial
B	descente du faite d'un bâtiment à l'aide d'un profilé

Respectez toujours les points suivants:

- Le ventilateur doit être suspendu à une structure rigide.
- Si le ventilateur ne peut pas être suspendue directement à partir par exemple d'un treillis ou panne, utiliser le fer d'angle rigide ou profilés tubulaires pour suspendre le ventilateur.



AVERTISSEMENT

Le profil doit être suffisamment rigide pour qu'il ne fléchisse dans toutes les directions. Cela permettra d'éviter la résonance en raison des forces générées par le ventilateur.



AVERTISSEMENT

Ne pas suspendre le ventilateur à l'aide de chaînes, cordes, câbles en acier ou similaires.

Ce V-FloFan va tourner et/ou se balancer.

Protection

Ce ventilateur est fourni par défaut avec une protection en bas (côté entrée d'air). Ce ventilateur est destiné à être installé à une hauteur telle qu'une protection sur la partie supérieure n'est généralement pas nécessaire.



AVIS

Le ventilateur doit être protégé conformément aux réglementations locales

Trous de drainage

Le moteur du ventilateur a des trous de drainage pour permettre la condensation qui peut se former à l'intérieur du moteur à partir du moteur. Après l'installation, le trou de drainage au point le plus bas du moteur doit être ouvert, les autres trous de drainage doivent être fermés.

Des bouchons de drainage de condensat de réserve sont fournis avec le ventilateur. Conservez tous les bouchons de drainage car ils doivent être temporairement remis en place dans les trous de drainage ouverts pendant le nettoyage humide.

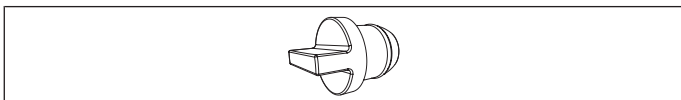


Fig. 8: Bouchon du trou de drainage des condensats

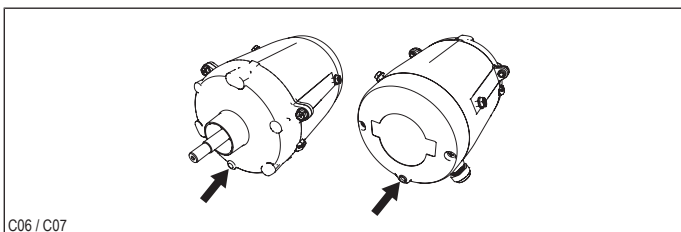


Fig. 9: Emplacement des trous de drainage du condensat

4.2 Installation électrique

Schéma de câblage

Le schéma de branchement est illustré à l'intérieur du couvercle du boîtier de la borne. Le schéma de branchement est également indiqué sur la fiche technique.

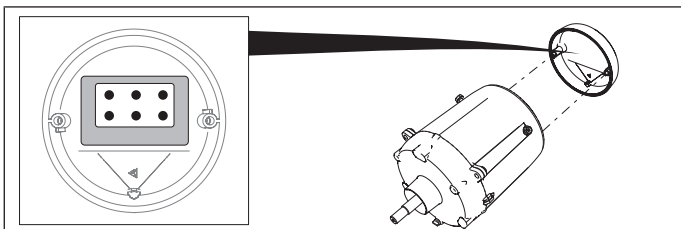


Fig. 10: Emplacement du schéma de branchement



AVIS

Le raccordement électrique doit être effectué par un électricien qualifié. Les connexions électriques doivent être effectués conformément à la réglementation locale.

Vérifiez la plaque signalétique et vérifiez que ce ventilateur est adapté à l'alimentation électrique disponible.

3 ~ moteurs de ventilateur: vérifiez que ETOILE / TRIANGLE est correctement configuré sur le bornier.


Commande

Ce ventilateur est livré sans système de commande ou de commande. Une commande ou un système de commande doivent être fournis pour le fonctionnement du ventilateur.

Isolateur

Ce ventilateur est livré sans un isolateur électrique. Un isolateur électrique doit être fournie pour faciliter l'entretien et le dépannage en toute sécurité.

Mise à la terre

 Le ventilateur doit être relié à la terre. Mettez le ventilateur à la terre conformément aux réglementations locales.



AVIS

Protection de surintensité

L'utilisation d'un dispositif de protection contre les surintensités individuels séparés par ventilateur est fortement recommandé.



AVIS

Protection contre la surcharge

L'utilisation d'un dispositif de protection de surcharge individuel séparé (disjoncteur de protection du moteur) par ventilateur est fortement recommandé.

4.2.1 Protection thermique

1 ~ protection thermique du moteur du ventilateur

Les détecteurs thermiques sont intégrés en standard dans 1 ~ moteurs de ventilateur. Les détecteurs thermiques sont du type TB thermostat: thermostat ouverture sur l'augmentation de la température.

Dans 1 ~ moteurs de ventilateur, le thermostat (TB) est par défaut câblé en série avec la phase (L) de l'alimentation. Le moteur se réinitialise automatiquement: en cas de surchauffe, le thermostat arrête automatiquement le moteur et, une fois que le moteur a refroidi, il redémarre automatiquement.

La présence du texte "Thermally Protected" sur la plaque d'identification et/ou la fiche technique indique que la protection thermique est intégrée au moteur du ventilateur 1~ et qu'il est câblé en série avec la phase (L) de l'alimentation.



AVERTISSEMENT

Si le démarrage inattendu du moteur par le thermostat peut provoquer un danger ou est interdite par la réglementation locale, le thermostat doit être connecté à un circuit de commande qui ne permettra pas au moteur de redémarrer jusqu'à ce que le circuit est remis à zéro manuellement.



3 ~ protection thermique du moteur du ventilateur (en option)

Les détecteurs thermiques sont disponibles en option en 3 ~ moteurs de ventilateur. Les détecteurs thermiques sont du type TB thermostat: thermostat ouverture sur l'augmentation de la température.

Dans 3 ~ moteurs de ventilateur, les thermostats (TB) sont par défaut branché à des bornes séparées sur le bloc terminal. Un circuit de commande externe peut être connecté ici. **AVIS! Les thermostats des moteurs de ventilateur 3~ ne peuvent pas être câblés en série avec l'alimentation électrique.**

Charge maximale du thermostat (TB)

Lors de la connexion d'un circuit de commande externe pour les thermostats, il faut respecter les limites de charge suivantes:

AC	≤ 500 V
	≤ 1.6 A
	Cos φ ≥ 0.6
DC	≤ 12 V
	≤ 40 A

Tab. 1: Charge maximale du thermostat (TB)

4.2.2 Contrôle de la vitesse

Vérifiez que ce ventilateur est adapté au contrôle de la vitesse. Sur la fiche technique et la plaque d'identification, on trouve les codes (combinaisons de codes) suivants:

F = approprié pour le contrôle de fréquence / VFD (Variable Frequency Drive)

E = approprié pour le contrôle électronique de la tension (TRIAC / coupe de phase)

T = approprié pour le contrôle de la tension du transformateur



AVERTISSEMENT

Si aucun de ces codes n'est indiqué, ce ventilateur ne peut pas être contrôlé en vitesse!

Commande à fréquence variable (FC / contrôle de fréquence)

- Ne pas réduire la fréquence à moins de 20% de la fréquence nominale indiquée sur la plaque d'identification.
- Lors de l'utilisation d'un variateur de fréquence, les instructions de câblage du fabricant du variateur de fréquence doivent être suivies.



AVERTISSEMENT

N'augmentez pas la fréquence au-delà de la valeur nominale indiquée sur la plaque d'identification

Contrôle électronique de la tension (TRIAC / SOLID-STATE / coupe de phase)

- Ne pas réduire la tension à moins de 40 % de la tension nominale indiquée sur la plaque d'identification.
- Le bruit du moteur (bourdonnante) peut se produire en raison de ce type de contrôle

Contrôle de la tension des transformateurs

- Ne pas réduire la tension à moins de 40 % de la tension nominale indiquée sur la plaque d'identification.

5 Mise en service

Avant le démarrage initial vérifiez que:

1. Installation et branchement électrique ont été remplis.
2. Aucun matériel étranger est présent dans le boîtier du ventilateur et le ventilateur.
3. Tous les dispositifs de sécurité nécessaires, tels que les gardes, sont en place.

Démarrage initial

1. Allumez brièvement l'alimentation électrique et vérifiez si la hélice tourne dans le bon sens. Corriger si nécessaire:
 - Pour les ventilateurs 3~, on peut interchanger 2 des 3 phases de l'alimentation.
 - Pour les ventilateurs 1~, contactez votre fournisseur.
2. Faites fonctionner le ventilateur et vérifiez qu'il est silencieux (pas de bruits inhabituels) et qu'il fonctionne avec de faibles vibrations. Vérifiez que le courant absorbé se situe dans les limites de pleine charge indiquées sur la plaque d'identification et la fiche technique.
3. Reportez-vous à la section de dépannage de ces instructions si quelque chose semble hors de l'ordinaire.

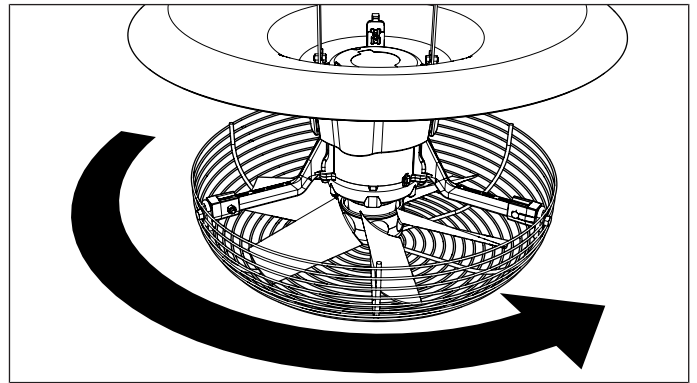


Fig. 11: V-FIOFan sens de rotation de la hélice

6 Utilisation

Soyez toujours vigilant lorsque le ventilateur est en fonctionnement. Éteindre immédiatement le ventilateur et l'isoler de l'alimentation électrique s'il semble y avoir quelque chose qui sort de l'ordinaire. Reportez-vous à la section de dépannage de ces instructions si quelque chose semble hors de l'ordinaire.



AVIS

Ce V-FloFan est très sensible aux autres flux d'air qui peuvent perturber un bon fonctionnement :

N'utilisez pas de ventilateurs à flux d'air horizontal en même temps que le V-FloFan est en fonctionnement.

Dans les serres, ne faites pas fonctionner le V-FloFan lorsque les aérations des fenêtres sont ouvertes.

Utilisation peu fréquente

Si le ventilateur est utilisé moins d'une fois par mois, faites fonctionner le ventilateur au moins 2 heures par mois à plein régime pour éviter l'accumulation d'humidité dans le moteur du ventilateur et pour maintenir le lubrifiant des roulements en bon état.



DANGER

Si la protection thermique intégrée est en série avec l'alimentation et est activée, le moteur du ventilateur redémarre automatiquement après refroidissement.

Risque de blessure dû à un démarrage inattendu.



ATTENTION

Le moteur du ventilateur peut devenir chaud pendant le fonctionnement

Ne le touchez pas pour éviter les brûlures

7 Entretien



DANGER

Mettez le ventilateur hors tension et l'isoler complètement de l'alimentation électrique avant de commencer l'entretien.



AVERTISSEMENT

Toutes les pièces mobiles doivent être à l'arrêt complet avant de commencer l'entretien.

7.1 Programme de maintenance

- ▶ **Les tâches de maintenance – À EFFECTUER TOUS LES MOIS**
 1. Examinez le cadre du montage pour des défauts éventuels et enlevez la saleté qui s'y est accumulée.
 2. Examinez le moteur et enlevez la saleté qui s'est accumulée entre les ailettes de refroidissement du moteur.
 3. Vérifiez l'hélice pour des défauts éventuels et enlevez la saleté qui s'y est accumulée.
 4. Examinez l'état des protections (si elles existent) et retirez les saletés qui se sont accumulées.
- ▶ **Les tâches de maintenance – À EFFECTUER TOUS LES 3 MOIS**
 1. Vérifiez l'état des roulements à billes.
 2. Vérifiez le serrage de la visserie et de la fixation
- ▶ **Les tâches de maintenance - À EXERCER ANNUELLEMENT**
 1. Uniquement pour les moteurs de ventilateur 1~ : vérifier la capacité du condensateur.

7.2 Sujets d'entretien

Nettoyage

Dans les domaines d'application où les niveaux de contamination sont élevés, les intervalles de nettoyage doivent être ajustés en conséquence.

Le nettoyage se fait de préférence à l'aide d'une brosse douce. Ne pas utiliser de détergents agressifs, de solvants ou de produits chimiques pour le nettoyage.

Nettoyage humide

Nettoyage par voie humide est autorisé en utilisant un jet d'eau propre à basse pression. Éviter autant que possible de diriger les jets d'eau vers les paliers et les connexions électriques.

Quand est prévu le nettoyage humide, il faut fermer tous les trous d'évacuation des condensats ouverts avant de commencer le nettoyage humide.

AVERTISSEMENT

Ne pas utiliser un nettoyeur haute pression.

L'eau peut pénétrer dans les connexions électriques et les roulements.

▶ Après le nettoyage humide

1. Ouvrir le trou d'évacuation des condensats au point le plus bas du moteur du ventilateur.
2. Faire fonctionner le ventilateur pendant 2 heures à plein régime pour éliminer toute humidité qui aurait pu pénétrer dans le moteur du ventilateur.

Roulements

Les roulements utilisés dans le ventilateur et / ou moteur du ventilateur sont sans entretien et graissés à vie. La durée de vie moyenne pendant le fonctionnement normal est >30.000 heures.

Les défauts des roulements peuvent généralement être détectés par l'écoute. Lorsque l'arbre / roue tourne à la main, il doit se déplacer librement avec un son lisse et uniforme. Les bruits de grincement ou de meulage indiquent que les roulements peuvent nécessiter un remplacement.

Hélice

Nettoyage de la hélice est très important. Une hélice sale souffrira d'un déséquilibre résultant des vibrations. Une hélice sale entraîne également une diminution de la performance du ventilateur et une diminution de son efficacité.

Condensateur (moteur de ventilateur 1~)

La capacité de condensateur diminue lentement avec le temps. La durée de vie moyenne est de ± 30.000 heures. Remplacer le condensateur lorsque la capacité est tombée en dessous de la valeur comme indiqué sur le condensateur.

8 Dépannages et réparations

AVERTISSEMENT

Le dépannage et les réparations doivent être effectués uniquement par des personnes qualifiées!

Panne	Cause possible	Solution possible
Vibrations excessives	Déséquilibre hélice-> hélice endommagée	Remplacez l'hélice
	Déséquilibre hélice-> sale hélice	Nettoyez l'hélice
	Les roulements sont endommagés ou usés	Remplacer les roulements
Le ventilateur ne démarre pas	Pas d'alimentation fourni ventilateur	Vérifiez toutes les alimentations électriques Vérifiez le fusible / disjoncteur
	(Le cas échéant) VFD (Variable de variateur de fréquence) défectueux	Vérifier le VFD (se reporter aux instructions du fabricant du VFD)
Le ventilateur ne démarre pas (Tension d'alimentation aux bornes du moteur du ventilateur est présent)	Protection thermique activée (Moteur du ventilateur a surchauffé)	Nettoyez le moteur Vérifiez s'il y a surcharge du système de ventilation (aspiration ou échappement bouché?) Vérifiez si la tension d'alimentation ne soit pas trop élevée ou trop faible
	L'hélice est bloquée	Retirez le blocage
	Uniquement pour les moteurs de ventilateur 1~ : condensateur incorrect ou défectueux	Remplacez le condensateur
	Température trop basse pour la graisse dans les roulements	Ne pas faire fonctionner le ventilateur en dehors de la plage de température ambiante indiquée sur la plaque d'identification et la fiche technique

Panne	Cause possible	Solution possible
Le moteur du ventilateur surchauffe pendant le fonctionnement	Le ventilateur est surchargé	Vérifiez s'il y a surcharge du système de ventilation (aspiration ou échappement bouché?)
	Le moteur du ventilateur a surchauffé en raison de la saleté dans les ailettes de refroidissement.	Nettoyez le moteur
	Tension d'alimentation trop élevée ou trop faible	Vérifiez l'alimentation électrique
	Fréquence d'alimentation incorrecte	Vérifiez l'alimentation électrique
	Uniquement pour moteurs 3 ~: déséquilibre de tension de phase	Vérifiez l'alimentation électrique
	Uniquement pour les moteurs 1~: condensateur incorrect ou défectueux	Remplacez le condensateur
Le ventilateur tourne dans le mauvais sens	Moteurs de ventilateur 1~: condensateur mal branché	Se connecter selon le schéma de branchement (contact avec le fournisseur)
	Moteurs de ventilateur 3~: alimentation mal raccordée	Échangez quelconque 2 des 3 phases de l'alimentation
La vitesse du ventilateur (rpm) est trop faible	La tension d'alimentation est trop faible	Vérifiez l'alimentation électrique
	Fréquence d'alimentation incorrecte	Vérifiez l'alimentation électrique
	Uniquement pour ventilateurs 1~ : condensateur incorrect ou défectueux	Remplacez le condensateur
	Uniquement pour les ventilateurs de 3~: ETOILE au lieu de TRIANGLE connecté	Se connecter TRIANGLE Vérifiez le schéma de branchement!
	Moteurs de ventilateur 3~: Défaut de phase	Restauration des 3 phases
Consommation d'énergie élevée	Le ventilateur est surchargé	Vérifiez s'il y a surcharge du système de ventilation (aspiration ou échappement bouché?)
	La vitesse du ventilateur trop élevée	Vérifiez la tension d'alimentation et la fréquence
Bruits inhabituels ou excessifs	Hélice frappe boîtier du ventilateur	Vérifier l'installation et les fixations et l'alignement
	Le ventilateur fonctionne au point de décrochage	Réduisez la résistance du système (aspiration ou échappement bouché)
	Les roulements sont endommagés ou usés	Remplacer les roulements

Des instructions détaillées de réparation et de remplacement sont disponibles auprès de votre fournisseur ou de Vostermans Ventilation B.V.

Il est fortement recommandé d'utiliser des pièces d'origine pour le service et la réparation.

9 Fin de vie




Élimination



À la fin de la vie de ce ventilateur, disposer correctement conformément à la réglementation en vigueur dans votre région.

Recyclage

Les principaux matériaux utilisés dans le moteur électrique sont le cuivre, l'acier et l'aluminium.

La plupart des pièces du ventilateur portent le symbole de recyclage avec le code de matériau indiqué pour faciliter un recyclage approprié. Certaines pièces sont faites de matériaux faciles à identifier, comme l'acier, et ne portent aucun symbole de recyclage.

Symbole	Matériau
	Polypropylène
	ABS (Acrylonitrile Butadiène Styène),
	Polyamide

Symbole	Matériau
	Polypropylène renforcé de fibres de verre
	Aluminium

Tous les symboles ci-dessus peuvent ne pas apparaître sur certaines parties de ce produit. En effet, la matière en question n'est alors pas présente dans ce produit.

10 Déclaration de conformité UE

Déclaration de conformité UE

Fabricant et autorisé à constituer le dossier technique:

Vostermans Ventilation B.V.
Parlevinkerweg 54
5928 NV, Venlo, Pays-Bas

Nous déclarons sous notre seule responsabilité que les produits:

V-FloFan avec les numéros de pièce:

- en commençant par T4 ou T6
- Et se terminant par 60

Cette Déclaration de Conformité est valable uniquement pour les produits énumérés ici qui ont une marque CE sur leur plaque d'identification.

Remplir toutes les dispositions pertinentes:

- Directive 2006/42/EC
- Directive 2014/30/EU
- Directive 2011/65/EU
- Directive 2012/19/EU
- Règlement (UE) N° 327/2011

Les normes harmonisées suivantes ont été utilisées:

- EN-ISO 12100:2010
- EN 60204-1:2018
- EN ISO 13854:2019
- EN ISO 13857:2019
- EN-ISO 14120:2015
- EN-ISO 13732-1:2008
- EN-ISO 11201:2010
- EN-ISO 11203:2009/A1:2020
- EN-ISO 11204:2010
- EN 61000-6-2:2005/AC:2005
- EN 61000-6-4:2007/A1:2011
- EN 61800-3:2004/A1:2012
- EN IEC 63000:2018

Les autres normes et spécifications techniques suivantes ont été utilisées:

- ISO/TR 14121-2:2012
- EN 60204-1:2006/AC:2010
- ISO 9001:2015
- EN IEC 61000-6-2:2019
- EN IEC 61000-6-4:2019
- EN IEC 61800-3:2018
- EN 50581:2012
- EN ISO 5801:2017
- EN-ISO 12499:2008
- ISO 13348:2007
- EN-ISO 13857:2008
- EN 349:1993/A1:2008

Venlo, 31-10-2022

H.L.J. Vostermans, PDG



(Fan pro – DoC 2006_42_EC – v2.12)

Glossaire

Atmosphère explosive

Mélange avec l'air, dans les conditions atmosphériques, de substances inflammables sous forme de gaz, vapeurs, brouillards ou poussières, dans lequel, après inflammation, la combustion se propage à l'ensemble du mélange non brûlé.

Déstratification

Le brassage de l'air pour éliminer les couches et obtenir l'égalisation des températures.

Personne qualifiée

Individuel avec l'enseignement technique pertinente, la formation ou de l'expérience afin de permettre la perception des risques et d'éviter les dangers qui se produisent lors de l'utilisation d'un produit.

Índice

1 Introducción..... 35

2 Seguridad..... 35

3 Información..... 36

3.1 Visión general..... 36

3.2 Uso específico..... 36

3.3 Información técnica..... 36

4 Instalación..... 36

4.1 Mecánica..... 37

4.2 Eléctrico..... 38

4.2.1 Protección térmica..... 38

4.2.2 Control de velocidad..... 39

5 Puesta en servicio..... 39

6 Funcionamiento..... 39

7 Mantenimiento..... 39

7.1 Programa de mantenimiento..... 40

7.2 Temas de mantenimiento..... 40

8 Solución de problemas y reparaciones..... 40

9 Fin de vida útil..... 41

10 Declaración UE de Conformidad..... 42

Glosario..... 42

1 Introducción

IMPORTANTE: LEA LAS INSTRUCCIONES CUIDADOSAMENTE ANTES DE USARLO

CONSERVE ESTAS INSTRUCCIONES PARA FUTURAS CONSULTAS

Estas instrucciones son una parte de este ventilador se debe entregar al propietario y / o usuario posterior.

Póngase en contacto con su proveedor si hay partes de estas instrucciones que no comprende. El cumplimiento de estas instrucciones asegurará un uso seguro y correcto de este ventilador.

Los grupos objetivo

General

Estas instrucciones están destinadas a:

- Los instaladores encargados del montaje (si procede) y/o la instalación mecánica de este ventilador.
- Los electricistas encargados de la instalación eléctrica de este ventilador.
- Los operadores encargados del funcionamiento de este ventilador.
- Los técnicos de mantenimiento encargados del mantenimiento y la solución de problemas de este ventilador.

Requisitos del grupo objetivo:

- Los instaladores deben tener suficiente experiencia o entrenamiento relevante en la instalación de este tipo de ventiladores.
- Los electricistas deben ser electricistas cualificados.
- Los operadores deben tener suficiente experiencia o formación pertinente en el manejo de este tipo de ventiladores.

- Los técnicos de mantenimiento deben tener suficiente experiencia o capacitación pertinente en el mantenimiento y la solución de problemas de este tipo de ventiladores.



AVISO

Este ventilador es sólo para uso profesional, industrial o comercial.

Embalaje

Si ya no se requieren los materiales de embalaje, disponer de ellos de acuerdo con las regulaciones que se aplican en su área.

Modificación de este ventilador

No está permitido modificar este ventilador sin el permiso escrito de Vostermans Ventilation B.V.

La garantía quedará anulada cuando se modifique este ventilador sin permiso.

La Declaración UE De Conformidad ya no es válida si este ventilador se modifica sin permiso.

Aviso legal

Lo que está suministrado puede variar con respecto a las imágenes de los productos mostradas. Este documento fue creado con el debido cuidado. La información, las instrucciones y las piezas que se indican son actuales en la fecha de emisión de este documento.

Uso indebido

No se acepta ninguna responsabilidad por los daños que resulten de un uso inadecuado.

2 Seguridad

Mensajes de seguridad

Su seguridad y la de los demás es muy importante. En estas instrucciones se incluyen importantes mensajes de seguridad.

LEA ESTOS MENSAJES ATENTAMENTE

Esta información le alerta sobre los peligros potenciales que podrían dañarle a usted o a los demás. Cada mensaje de seguridad está precedido por un símbolo de seguridad y una de las cuatro palabras de señalización: PELIGRO, ADVERTENCIA, ATENCIÓN o AVISO.

Explicación de las palabras de señalización utilizadas en estas instrucciones




PELIGRO : Usted morirá o resultará gravemente herido si no sigue las instrucciones.




ADVERTENCIA : Usted puede morir o sufrir lesiones graves si no sigue las instrucciones.

ATENCIÓN : Puede ser herido si no sigue las instrucciones.

AVISO : Se utiliza para referirse a actividades no relacionadas con lesiones físicas.

Explicación de los símbolos de seguridad utilizados

	Símbolo de advertencia general
	Advertencia para la electricidad
	Advertencia para superficies calientes

	Advertencia para la activación automática
	Advertencia para materiales explosivos
	Señal general de acción obligatoria

3 Información

3.1 Visión general

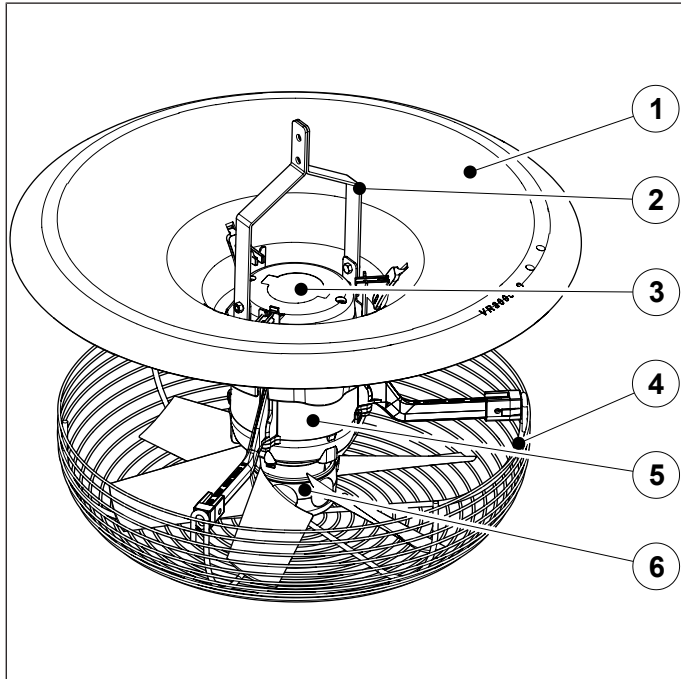


Ilustración 1: Vista general del V-FloFan

1	Deflector de aire
2	Soporte de suspensión
3	Ventilador placa de características y tapa de la caja de terminales
4	Rejilla de protección
5	Motor del ventilador
6	Hélice

Identificación del producto

Una placa de características está fijada permanentemente al V-FloFan Y no se debe quitar.

La placa de características muestra información eléctrica, mecánica y de identificación.

Cada ventilador tiene un número de serie numérico único de 14 dígitos que aparece en la placa de características. El número de serie debe ser proporcionado en cualquier correspondencia futura relacionada con este ventilador, ya que es la única información utilizada para identificar al ventilador en cuestión.

En la placa de características aparece un código QR. Este código QR contiene un enlace a una página de información sobre este producto. Aquí puede encontrar una copia digital de estas instrucciones, así como otra información sobre este producto.

3.2 Uso específico

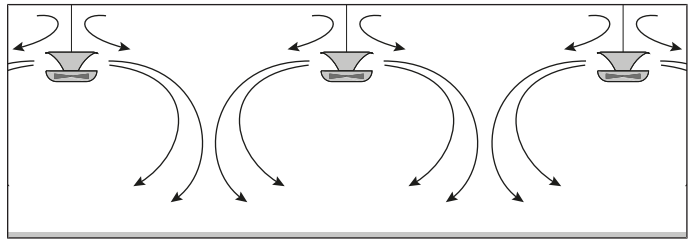


Ilustración 2: Principio de funcionamiento de VFloFan

Este V-FloFan está destinado a la destratificación de aire. Esta V-FloFan crea un movimiento vertical de aire con una velocidad de aire muy baja. Este ventilador está especialmente diseñado para su uso en invernaderos. Este ventilador también se puede utilizar en granjas avícolas u otras aplicaciones en las que se desee destratificar con velocidades de aire bajas.

AVISO

Este ventilador está diseñado para mover aire solamente.

PELIGRO

No utilice este motor en atmósferas explosivas o potencialmente explosivas.

3.3 Información técnica

Para obtener información técnica detallada, visite nuestro sitio web desde el que se pueden ver y descargar las fichas técnicas.

<http://productselector.vostermans.com>

4 Instalación

► Antes de comenzar la instalación

1. Compruebe el ventilador después de recibirlo y asegúrese de que no se ha dañado durante el transporte.
2. Brevemente girar la hélice y/o el eje del motor a mano para asegurarse de que gira libremente.
3. Compruebe toda la información de la placa de características y compruebe que este ventilador es adecuado para la aplicación deseada.

El soporte se inclina hacia abajo para el envío. Levante el soporte y apriete los pernos y tuercas.

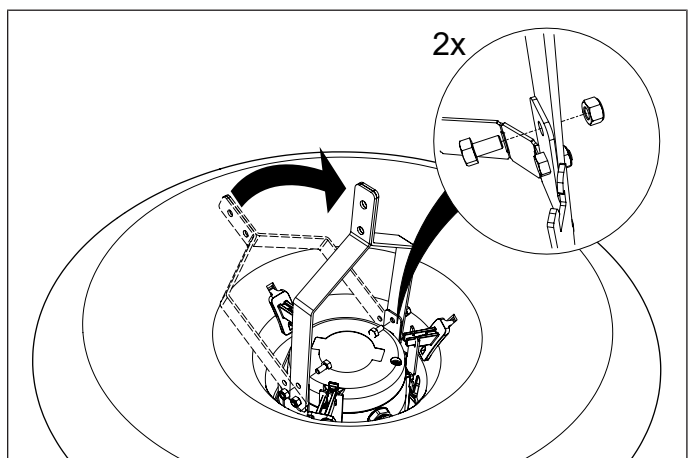


Ilustración 3: Colocación vertical del soporte

4.1 Mecánica

Posición de instalación

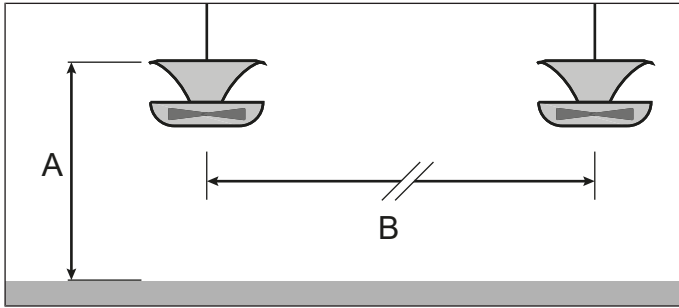


Ilustración 4: Posición de instalación del V-FloFan

A	max 5m para mejores resultados
B	± 18 m para obtener los mejores resultados

Obstáculos

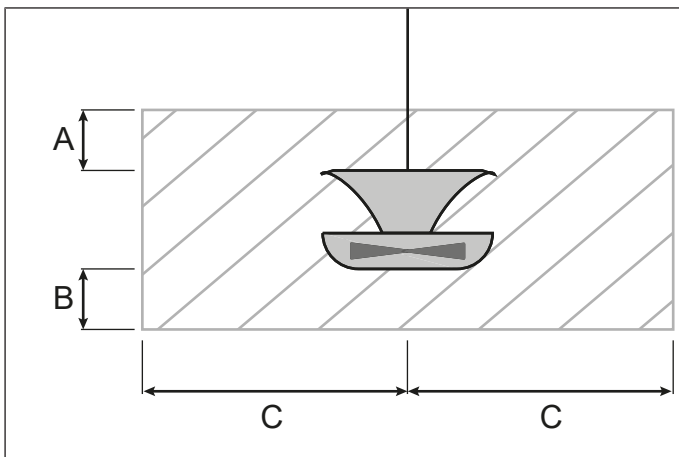


Ilustración 5: Área libre de obstáculos V-FloFan

A	>0,5m
B	>0,5m
C	>2m

Es muy importante que no haya obstáculos dentro del área indicada. Los obstáculos dentro de esta área interrumpirán el flujo de aire y pueden hacer que el ventilador vibre.

Suspensión

El ventilador debe estar suspendido de una estructura rígida. En los invernaderos, el ventilador debe suspenderse preferiblemente directamente de la estructura del invernadero. Un kit de soporte especial está disponible como accesorio opcional. Este kit de soporte se adapta a las vigas de invernadero más utilizadas. Contacte con su proveedor para obtener más información.

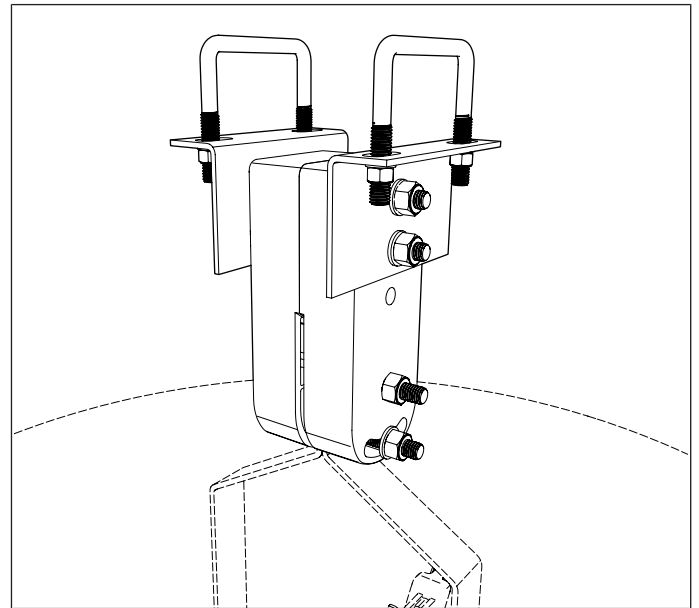


Ilustración 6: V-FloFan soporte opcional para invernaderos

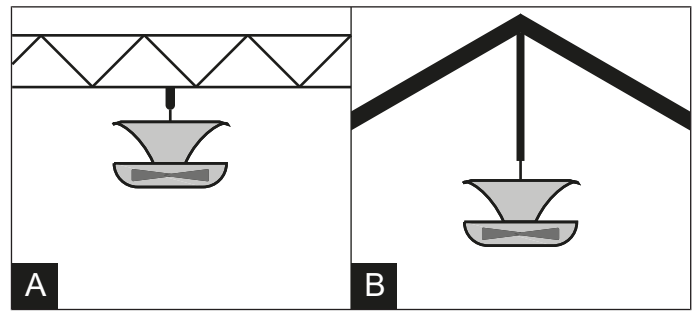


Ilustración 7: Ejemplos de suspensión V-FloFan

A	en un invernadero con el soporte especial para vigas
B	bajado de la cresta de un edificio usando un perfil

Siempre observar lo siguiente:

- El ventilador debe estar suspendido de una estructura rígida.
- Si el ventilador no puede ser suspendido directamente de, por ejemplo, una cercha o correa, utilice perfiles de hierro de ángulo rígido o perfiles tubulares para suspender el ventilador.



ADVERTENCIA

El perfil debe ser lo suficientemente rígido para que no se flexione en ninguna dirección. Esto evitará la resonancia causada por las fuerzas generadas por el ventilador.



ADVERTENCIA

No suspenda el ventilador con cadenas, cuerdas, cables de acero o similares.

El V-FloFan voluntad gira y/o se balancea.

Protección

Este ventilador se suministra por defecto con una protección en el lado inferior (de entrada). Este ventilador está pensado para ser instalado a una altura tal que, por lo general, no se requiere una protección en el lado superior (de escape).



AVISO

El ventilador debe estar protegido de acuerdo con las regulaciones locales

Agujeros de drenaje de condensado

El motor del ventilador tiene agujeros de drenaje para permitir que la condensación que se puede formar en el interior del motor puede salir del motor. Después de la instalación, el agujero de drenaje en el punto más bajo del motor debe estar abierto, los otros agujeros de drenaje deben estar cerrados.

Los tapones de drenaje de condensado de repuesto se suministran con el ventilador. Mantenga todos los tapones de drenaje, ya que deben volver a insertarse temporalmente en los agujeros de drenaje abiertos durante la limpieza en húmedo.

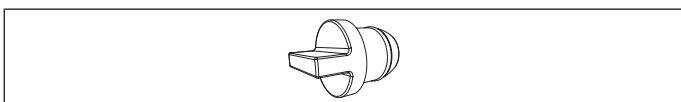


Ilustración 8: Tapón de drenaje de condensado

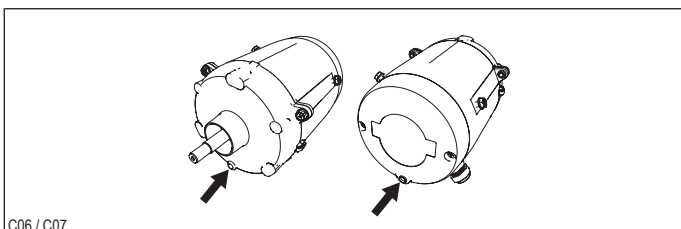


Ilustración 9: Ubicación de los agujeros de drenaje del condensado

4.2 Eléctrico

Esquema de cableado

El esquema de cableado figura en el interior de la tapa de la caja de terminales. El esquema de cableado también figura en la ficha técnica.

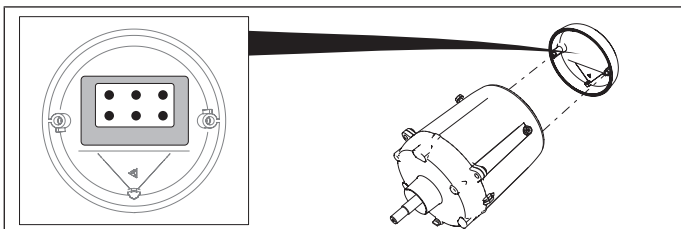


Ilustración 10: Localización del esquema de cableado



AVISO

Todos los trabajos en equipos eléctricos deben ser realizados por un electricista calificado. Las conexiones eléctricas deben ser hechas de acuerdo con las regulaciones locales.

Compruebe toda la información en la placa de características y comprobar que este ventilador es adecuado para el suministro eléctrico.

Para motores de ventiladores 3~: comprobar que ESTRELLA / DELTA esté correctamente configurado en la regleta de bornes.


Control

Este producto se suministra sin control o sistema de control. Para el funcionamiento del ventilador se debe prever un mando o un sistema de mando.

Aislador

Este ventilador se suministra sin aislador eléctrico. Se debe proporcionar un aislador eléctrico para facilitar el mantenimiento seguro y la resolución de problemas.

Puesta a tierra

 El ventilador debe estar conectado a tierra. Conecte a tierra el ventilador de acuerdo con las regulaciones locales.



AVISO

Protección de sobrecorriente

El uso de un dispositivo de protección contra sobrecorriente separada individual por ventilador es muy recomendable.



AVISO

Protección de sobrecarga

El uso de un dispositivo de protección de sobrecarga separado individual (disyuntor de protección del motor) por ventilador es muy recomendable.

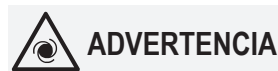
4.2.1 Protección térmica

1~ protección térmica del motor del ventilador

Los detectores térmicos están incorporados de serie en los motores de ventiladores 1~. Los detectores térmicos son del tipo termostato TB: apertura del termostato al aumentar la temperatura.

En los ventilador motores 1~, el termostato está conectado por defecto en serie con la fase (L) de la alimentación. Cuando el motor se sobrecalienta, el termostato apagará el motor automáticamente y una vez que el motor se haya enfriado, el motor volverá a arrancar automáticamente.

La presencia del texto "Thermally Protected" en la placa de características y/o en la hoja de datos indica que la protección térmica está incorporada en el motor del ventilador 1~ y que está cableada en serie con la fase (L) de la alimentación.



ADVERTENCIA

Si el arranque inesperado del termostato de reposición automática puede causar un peligro o está prohibido por las regulaciones locales, debe conectarse a un circuito de control que no permita que el motor vuelva a arrancar hasta que el circuito se reajuste manualmente.


3~ protección térmica del motor del ventilador (opcional)

Los detectores térmicos están disponibles opcionalmente en motores de ventilador 3~. Los detectores térmicos son del tipo termostato TB: apertura del termostato al aumentar la temperatura.

En los motores 3~, el termostato está por defecto cableado a terminales separados del bloque de terminales. Aquí se puede conectar un circuito de control externo. **AVISO! Los termostatos en motores 3~ no se pueden cablear en serie con la fuente de alimentación.**

Carga máxima del termostato (TB)

Al conectar un circuito de control externo a los termostatos, deben observarse los siguientes límites de carga:

AC	≤ 500 V
	≤ 1,6 A
	Cos φ ≥ 0,6


DC	≤ 12 V
	≤ 40 A

Tabla 1: Carga máxima del termostato (TB)

4.2.2 Control de velocidad

Verifique que este ventilador sea adecuado para el control de velocidad. En la hoja de datos y en la placa de características se encuentran los siguientes códigos (combinación de los mismos):

F = adecuado para el control de frecuencia / VFD (Variador de Frecuencia)

E = adecuado para el control electrónico de la tensión (TRIAC / corte de fase)

T = adecuado para el control de la tensión del transformador



ADVERTENCIA

Si ninguno de estos códigos aparece en la lista, este ventilador no se puede controlar la velocidad!

Variador de frecuencia (control / frecuencia FC)

- No reduzca la frecuencia a menos del 20% de la frecuencia nominal indicada en la placa de características.
- Cuando se utiliza un variador de frecuencia, las instrucciones de cableado del fabricante del variador de frecuencia se deben seguir.



ADVERTENCIA

No aumente la frecuencia por encima del valor nominal indicado en la placa de características

Control electrónico de la tensión (TRIAC / ESTADO SÓLIDO / corte de fase)

- No reduzca el voltaje a menos del 40% del voltaje nominal indicada en la placa de características.
- Ruido del motor (zumbido) puede ocurrir debido a este tipo de control

Regulación de tensión por transformador

- No reduzca el voltaje a menos del 40% del voltaje nominal indicada en la placa de características.

5 Puesta en servicio

Antes de la puesta en marcha inicial, compruebe que:

1. La instalación y la conexión eléctrica se han completado correctamente.
2. No material extraño está presente dentro de la caja del ventilador y ventilador.
3. Todos los dispositivos de seguridad necesarios, como los protectores, están en su lugar.

Puesta en marcha inicial

1. Conecte brevemente la fuente de alimentación y compruebe si la hélice gira en la dirección correcta. Corregir si es necesario:
 - Para 3 ~ ventiladores intercambio cualquier 2 de las 3 fases de la alimentación.
 - Para ventiladores 1~, póngase en contacto con su proveedor.
2. Ponga en marcha el ventilador y compruebe el funcionamiento silencioso (sin ruidos inusuales) y con pocas vibraciones. Compruebe que el consumo de corriente está dentro de los límites de carga máxima indicados en la placa de características y en la hoja de datos.

3. Consulte la sección de solución de problemas de estas instrucciones si algo parece fuera de lo normal.

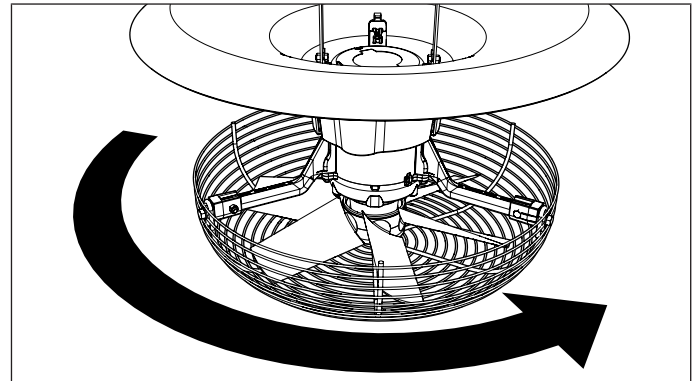


Ilustración 11: Sentido de rotación de la hélice del V-FloFan

6 Funcionamiento

Siempre esté alerta cuando el ventilador está en funcionamiento. Inmediatamente desconectar y aislar el ventilador del suministro eléctrico si algo parece fuera de lo común. Consulte la sección de solución de problemas de estas instrucciones si algo parece fuera de lo normal.



AVISO

El V-FloFan es muy susceptible a otros flujos de aire que pueden interrumpir su buen funcionamiento:

No utilice ventiladores de flujo de aire horizontales al mismo tiempo que cuando el V-FloFan está en funcionamiento.

En invernaderos, no opere el V-FloFan cuando las ventanas de ventilación estén abiertas.

Uso infrecuente

Si el ventilador se usa con menos frecuencia que una vez al mes, haga funcionar el ventilador cada mes por lo menos 2 horas a toda velocidad para evitar la acumulación de humedad en el motor del ventilador y para mantener el lubricante de los cojinetes en buenas condiciones.



PELIGRO

Si el incorporado en la protección térmica está en serie con la fuente de alimentación y se activa, el motor del ventilador automáticamente se volverá a empezar después de haberse enfriado.

Riesgo de lesiones debido a un arranque inesperado.



ATENCIÓN

El motor del ventilador puede calentarse durante el funcionamiento


No lo toque para evitar quemaduras

7 Mantenimiento



PELIGRO

Desconectar y aislar completamente el ventilador de la alimentación eléctrica antes de comenzar el mantenimiento.

 **ADVERTENCIA**

Todos los elementos móviles deben estar completamente parados antes de iniciar el mantenimiento.

7.1 Programa de mantenimiento

► **Trabajos de mantenimiento - CADA MES**

1. Comprobar si la carcasa del ventilador presenta defectos y eliminar la suciedad acumulada.
2. Comprobar el motor y eliminar la suciedad acumulada en el motor y entre las aletas de refrigeración del motor.
3. Comprobar si hay defectos en la hélice y eliminar la suciedad acumulada.
4. Examine el estado de las protecciones (si están instaladas) y elimine la suciedad que se haya acumulado.

► **Trabajos de mantenimiento - CADA 3 MESES**

1. Compruebe el estado de los rodamientos.
2. Compruebe el apriete de los tornillos y fijaciones.

► **Tareas de mantenimiento - A REALIZAR ANUALMENTE**

1. Sólo para motores de ventilador 1~: comprobar la capacidad del condensador.

7.2 Temas de mantenimiento

Limpieza

En las zonas de aplicación en las que existen altos niveles de contaminación, los intervalos de limpieza deberán ajustarse en consecuencia.

La limpieza se realiza preferentemente con un cepillo suave. No utilice detergentes agresivos, disolventes o productos químicos para la limpieza.

Limpieza en húmedo:

Se permite la limpieza en húmedo con agua limpia a baja presión. Evitar dirigir chorros de agua en los cojinetes y las conexiones eléctricas tanto como sea posible.

Cuando se planea la limpieza en húmedo, cierre los agujeros de drenaje de condensado abiertas antes de comenzar la limpieza en húmedo.

 **ADVERTENCIA**

No utilice un limpiador de alta presión!

El agua puede penetrar las conexiones eléctricas y los cojinetes.

► **Después de la limpieza en húmedo**

1. Abra el agujero de drenaje de condensado en el punto más bajo del motor del ventilador.
2. Ejecutar el ventilador 2 horas a toda velocidad para eliminar cualquier humedad que pueda haber entrado en el motor del ventilador.

Cojinetes

Los cojinetes utilizados en el ventilador y/o motor del ventilador no necesitan mantenimiento y están engrasados de por vida. La vida útil media durante el funcionamiento normal es de más de > 30.000 horas.

Los defectos en los cojinetes pueden ser detectados por la audición. Cuando el eje/la hélice es girado a mano, debe moverse libremente con un sonido suave y uniforme. Chirridos o molienda ruidos indican los cojinetes pueden requerir reemplazo.

Hélice

La limpieza de la hélice es muy importante. Una hélice sucia sufrirá un desequilibrio que provocará vibraciones. Una hélice sucio también reducirá el rendimiento del ventilador y la eficiencia del mismo.

Condensador (1~ motor)

La capacidad del condensador disminuye lentamente con el tiempo. La vida útil promedio es de ± 30.000 horas. Reemplace el condensador cuando la capacidad haya caído por debajo del valor indicado en el condensador.

8 Solución de problemas y reparaciones

 **ADVERTENCIA**

La solución de problemas y las reparaciones deben ser realizadas sólo por personas capacitadas!

Fallo	Posible causa	Solución posible
La vibración excesiva	Desequilibrio del hélice-> hélice dañado	Reemplace el hélice
	Desequilibrio del hélice-> hélice sucio	Limpie el hélice
	Cojinetes dañados o desgastados	Sustituir los cojinetes
El ventilador no arranca	No hay energía suministrada al ventilador	Comprobar todas las fuentes de alimentación Compruebe el fusible / disyuntor
	(Si está presente) VFD (Unidad de frecuencia variable) defectuoso	Compruebe el VFD (consulte las instrucciones del fabricante del VFD)
El ventilador no arranca (Tensión de alimentación en los terminales del motor está presente)	Protección térmica activada (Motor del ventilador se ha sobrecalentado)	Limpia el motor Compruebe si hay sobrecarga en el sistema de ventilación (¿está bloqueada la entrada o el escape?) Comprobar si la tensión de alimentación no está demasiado alta o demasiado baja
	Hélice bloqueado	Eliminar la obstrucción
	Sólo para motores 1~: condensador incorrecto o defectuoso	Reemplazar el condensador de arranque
	Temperatura demasiado baja para la grasa de los cojinetes	No haga funcionar el ventilador fuera del rango de temperatura ambiente especificado en la placa de características y en la hoja de datos técnicos
	El motor se sobrecalienta mientras está en marcha	El ventilador está sobrecargado

Fallo	Posible causa	Solución posible
	El motor del ventilador se ha sobrecalentado debido a la suciedad en las aletas de refrigeración.	Limpiar el motor
	Tensión de alimentación demasiado alta o demasiado baja	Comprobar la fuente de alimentación
	Frecuencia de alimentación incorrecta	Comprobar la fuente de alimentación
	Sólo para motores 3~: desequilibrio de tensión de fase	Comprobar la fuente de alimentación
	Sólo para motores 1~: condensador incorrecto o defectuoso	Reemplazar el condensador de arranque
El ventilador gira en la dirección equivocada	1~ motores de ventilador: condensador mal conectado	Conectar según el esquema de conexión (contactar con el proveedor)
	3~ motores de ventilador: alimentación mal conectada	Para 3 ~ ventiladores intercambio cualquier 2 de las 3 fases de la alimentación.
La velocidad del ventilador (rpm) es demasiado baja	La tensión de alimentación es demasiado baja	Comprobar la fuente de alimentación
	Frecuencia de alimentación incorrecta	Comprobar la fuente de alimentación
	Sólo para ventiladores 1~: condensador incorrecto o defectuoso	Reemplazar el condensador de arranque
	Sólo para ventiladores 3~: STAR en lugar de DELTA conectado	Conectar como DELTA Compruebe el diagrama de cableado!
	3~ motores de ventilador: Fallo de fase	Restaurar las 3 fases
Alto consumo de energía	El ventilador está sobrecargado	Compruebe si hay sobrecarga en el sistema de ventilación (¿está bloqueada la entrada o el escape?)
	Velocidad del ventilador demasiado alta	Comprobar la tensión de alimentación y la frecuencia
Ruidos inusuales o excesivos	La hélice golpea la carcasa del ventilador	Comprobar la instalación y las fijaciones y la alineación
	El ventilador funciona fuera de su rango de trabajo	Reducir la resistencia del sistema (Entrada o salida bloqueada)
	Cojinetes dañados o desgastados	Sustituir los cojinetes

Las instrucciones detalladas de reparación y reemplazo están disponibles en su proveedor o en Vostermans Ventilation B.V.

Se recomienda encarecidamente utilizar piezas genuinas sólo para el servicio y las reparaciones.

9 Fin de vida útil




Eliminación



Al final de la vida de este ventilador, disponer de él adecuadamente de acuerdo con las regulaciones que se aplican en su área.

Reciclaje

Los principales materiales usados en el motor eléctrico son de cobre, acero y aluminio.

La mayoría de las piezas del ventilador tienen el símbolo de reciclaje con el código de material listado en ellas para facilitar el reciclaje adecuado. Algunas piezas están hechas de materiales fáciles de identificar, como el acero, y no tienen ningún símbolo de reciclaje.

Símbolo	Material
	Polipropileno
	ABS (acrilonitrilo butadieno estireno)
	Poliamida

Símbolo	Material
	Polipropileno reforzado con fibra de vidrio
	Aluminio

Es posible que no todos los símbolos anteriores aparezcan en partes de este producto. Esto se debe a que el material en cuestión no está presente en este producto.

10 Declaración UE de Conformidad

Declaración UE de Conformidad

Fabricante y autorizado para elaborar el expediente técnico:

Vostermans Ventilation B.V.
Parlevinkerweg 54
5928 NV, Venlo, Países Bajos

Declaramos bajo nuestra exclusiva responsabilidad que los productos:

V-FloFan con números de pieza:

- A partir de T4* o T6*
- Y terminando con 60

Esta declaración de conformidad de la UE sólo es válida para los productos que figuran en esta lista y que llevan el marcado CE en su placa de características.

Cumplir con todas las disposiciones pertinentes de:

- Directiva 2006/42/CE
- Directiva 2014/30/UE
- Directiva 2011/65/UE
- Directiva 2012/19/UE
- Reglamento (UE) N° 327/2011

Se utilizaron las siguientes normas armonizadas:

- EN-ISO 12100:2010
- EN 60204-1:2018
- EN ISO 13854: 2019
- EN ISO 13857: 2019
- EN-ISO 14120:2015
- EN-ISO 13732-1:2008
- EN-ISO 11201:2010
- EN-ISO 11203:2009/A1:2020
- EN-ISO 11204:2010
- EN 61000-6-2:2005/AC:2005
- EN 61000-6-4:2007/A1:2011
- EN 61800-3:2004/A1:2012
- EN IEC 63000:2018

Se utilizaron las siguientes normas y especificaciones técnicas:

- ISO/TR 14121-2:2012
- EN 60204-1:2006/AC:2010
- ISO 9001:2015
- EN IEC 61000-6-2:2019
- EN IEC 61000-6-4:2019
- EN IEC 61800-3:2018
- EN 50581:2012
- EN ISO 5801: 2017
- EN-ISO 12499:2008
- ISO 13348:2007
- EN-ISO 13857:2008
- EN 349:1993/A1:2008

Venlo, 31-10-2022

H.L.J. Vostermans, CEO



(Fan pro – DoC 2006_42_EC – v2.12)

Glosario

Atmósfera explosiva

Por "atmósfera explosiva" se entiende una mezcla de aire, en condiciones atmosféricas, con sustancias inflamables en forma de gases, vapores, nieblas o polvos en la que, tras la ignición, la combustión se propaga a toda la mezcla no quemada.

Destratificación

La mezcla de aire para eliminar capas y lograr la igualación de la temperatura.

Persona capacitada

Persona con la educación técnica, la capacitación o la experiencia pertinentes para poder percibir los riesgos y evitar los peligros que se producen durante el uso de un producto.

Multifan



is a brand of Vostermans Ventilation B.V.



VOSTERMANS
VENTILATION

YOUR SPECIALIST IN AIR

Venlo - The Netherlands
Tel. +31 (0)77 389 32 32
ventilation@vostermans.com

Bloomington, IL- USA
Tel. +1 309 827-9798
ventilation@vostermansusa.com

Tmn Klang Jaya - Malaysia
Tel. +60 (0)3 3324 3638
ventilation@vostermansasia.com

Shanghai - China
Tel. +86 21 5290 2889/2899
ventilation@vostermanschina.com

www.vostermans.com

DocumentID: INS00008-D
Created: 10 July 2023



I N S 0 0 0 0 8