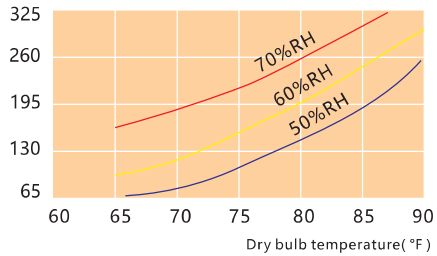


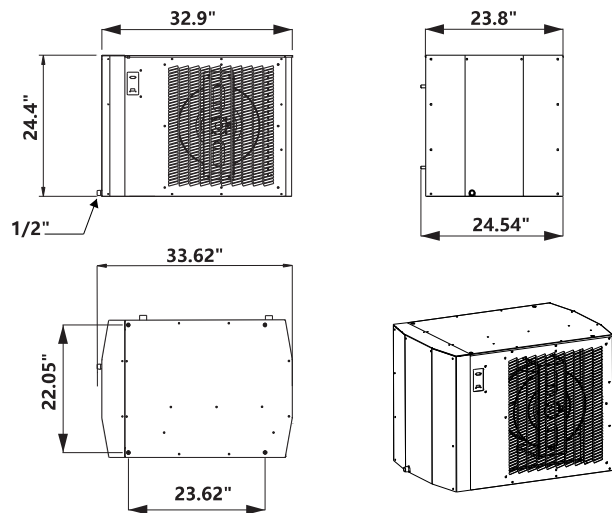
Dehumidifier

Performance Curve Chart

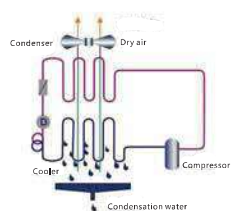
Dehumidification capacity (Pints/Day)



LG 195 Exterior Dimensions



Schematic Diagram of the Structure



LG 195

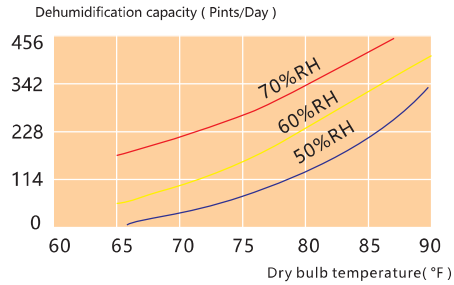
FEATURES:

- The LEIZIG 195 dehumidifier delivers robust performance with a compact footprint, efficiently removing up to 195 pints per day.
- Its advanced filtration system helps protect your crop from harmful microbes.
- Benefit from ultra-quiet operation, setting a new industry standard for low noise.
- Featuring an RS485 MODBUS-compatible interface and remote dry contact, it integrates smoothly with a wide range of humidity controls.
- Multiple installation choices available: hoisting, wall-mount, ceiling, or floor cabinet to customize your setup.

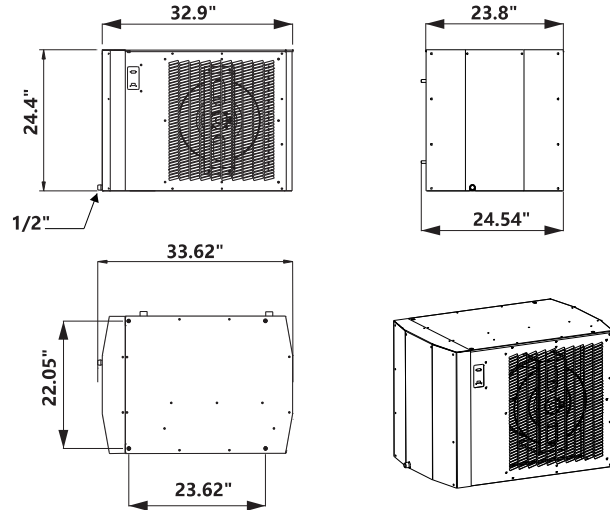
Model No.	LG 195
Factory ID No.	31000012
Dimensions(W*H*D)	29.6" * 16.5" * 17.2"
Package Dimensions(W*H*D)	32.7" * 22.1" * 19.7"
Technical Parameters	LG 195
Capacity	195 Pints/Day
Efficiency	5.5 Pints/kWh
Refrigerant	R410A
Operating Temp	56-95° F
Drain Connection	1/2" Threaded NPT
Air Filter	MERV-8/13; 14.2" * 12.7" * 1"
Blower (Tested with duct collars on)	500CFM @ 0.0" WG
Heat Load (BTU/H)	51 50
Energy Factor	2.6L/kwh
Electrical Parameters	LG 195
Supply Voltage	110-120VAC/1 PH/60HZ
Power	1450W
Current Draw	13.4A
Power Cord	Cord not provided - Direct wired only
Display Mode	Plug-in Connector
Attachment Parameters	LG 195
Weight	110 lb
Weight (w/ Packaging)	165 lb
Maximum Noise	76dB(A)
Installation Method	Ceiling-suspended or Bottom fixed
Component Material	Galvanized Steel/Powder Electroplated Paint (stainless steel housing optional)
Safety Parameters	In Accordance with DIN 31001
Protection Level	IP23
Surface Color	RAL7035 (light grey) +RAL 1033 (Orange), other colors on request
Certification	CE/ETL
Description	LG 195
Intake Duct Kit (IDK1)	318 0 0 0 1 6
Exhaust Duct (EDK1)	318 0 0 0 1 7
Standard MERV8 (FT108)	318 0 0 0 0 8
Superior MERV13 (FT113)	318 0 0 0 1 1

Dehumidifier

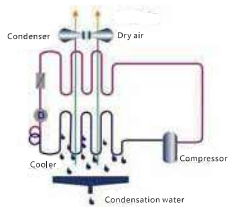
Performance Curve Chart



LG 228 Exterior Dimensions



Schematic Diagram of the Structure



LG 228

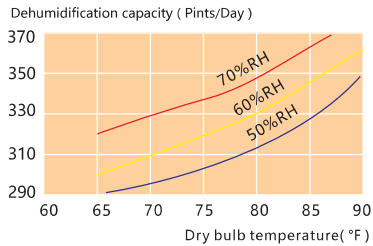
FEATURES:

- The LEIZIG 228 provides compact strength, capable of extracting 228 pints of moisture daily.
- Protect your grow with a filtration system designed to combat harmful microbes.
- Enjoy best-in-class low noise operation—quiet and unobtrusive.
- Built with MODBUS RS485 support and remote dry contact input for easy connection to various humidity controllers.
- Flexible installation: hoisting, ceiling, wall-mounted, or floor cabinet configurations are all supported.

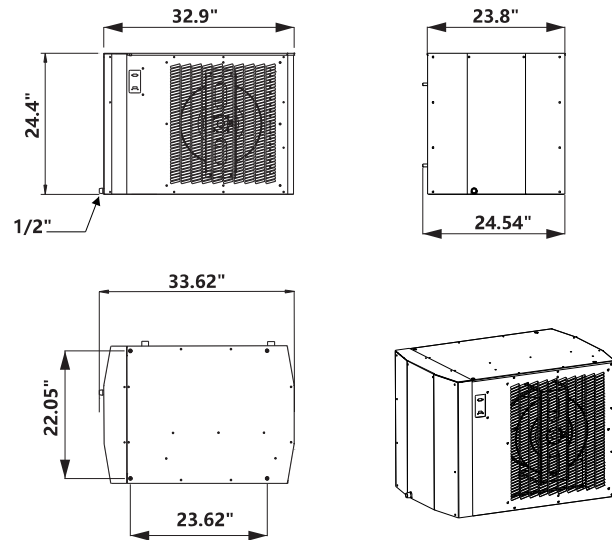
Model No.	LG 228	
Factory ID No.	31000013	
Dimensions(W*H*D)	32.9" * x 24.4" * x 23.8"	
Package Dimensions(W*H*D)	36.3" * 29.6" * 27.5"	
Technical Parameters	LG 228	
Capacity	228 Pints/Day	
Efficiency	6.9 Pints/kWh	
Refrigerant	R410A	
Operating Temp	56-95°F	
Drain Connection	3/4" Theraded NPT	
Air Filter	MERV-8/13; 21.8" * 21.8" * 1"	
Blower (Tested with duct collars on)	520CFM @ 0.0" WG	
Heat Load (BTU/H)	63 50	
Energy Factor	3.05L/kwh	
Electrical Parameters	LG 228	
Supply Voltage	208-230VAC/1 PH 60H	
Power	1375W	
Current Draw	7.2A	
Attachment Parameters	LG 228	
Weight	176 lb	
Weight (w/ Packaging)	260 lb	
Maximum Noise	68dB(A)	
Installation Method	Ceiling-suspended or Bottom fixed	
Component Material	Galvanized Steel/Powder Electroplated Paint (stainless steel housing optional)	
Safety Parameters	In Accordance with DIN 31001	
Protection Level	IP23	
Surface Color	RAL7035 (light grey) +RAL 1033 (Orange), other colors on request	
Certification	CE/ETL	
Accessories		
Type	ID NO.	Description
IDK3	31800018	Intake Duct kit
EDK3	31800019	Exhaust Duct kit
FT308	31800009	Standard Filtration(MERV8)
FT313	31800012	Superior Filtration(MERV13)

Dehumidifier

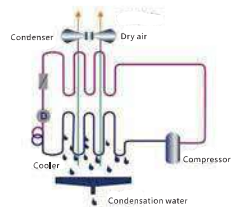
Performance Curve Chart



LG 335 Exterior Dimensions



Schematic Diagram of the Structure



LG 335

FEATURES:

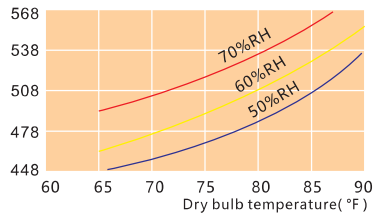
- With a powerful output of 335 pints/day, the LEIZIG 335 packs serious dehumidification into a compact unit.
- Advanced filtration defends against problematic microbes for optimal plant health.
- Notably quiet operation—engineered for environments where low noise is critical.
- Integrates simply with major control systems thanks to RS485 MODBUS interface and remote dry contact.
- Choose from installation styles: ceiling, wall, floor cabinet, or hoisting, for total adaptability.

Model No.	LG 335	
Factory ID No.	31000014	
Dimensions (WxHxL) (inch)	32.9x24.4x23.8	
Package Dimensions(WxHxL)(inch)	36.3x29.6x27.5	
Technical parameter		
Capacity (Pints/Day)	330	
Efficiency (Pints/kWh)	6.8	
Refrigerant	R410A	
Operating Temp (°F)	56-95	
Drain Connection	3/4 Threaded NPT	
Air Filter	MERV-8/13; 21.8"x21.8"x1"	
Blower (Tested with duct collars on)	900CFM@0.0"WG	
Heat Load (BTU/H)	8500	
Energy Factor (L/kwh)	3.2	
Electrical parameters		
Supply Voltage (V)	208-230VAC/1PH 60HZ	
Power (W)	2020	
Current Draw (A)	9.7	
Other Specifications		
Weight (lb)	215	
Weight (With Packaging) (lb)	298	
Maximum Noise (dB(A))	70	
Installation method	Ceiling-suspended or Bottom fixed	
Component Material	Galvanized steel/powder electroplated paint (stainless steel housing optional)	
Safety parameters	In accordance with DIN 31001	
Protection level	IP23	
Surface color	RAL7035 (light grey) +RAL1033 (Orange), other colors on request	
Certification	CE/ETL	
Accessories		
Type	ID NO.	Description
IDK3	31800018	Intake Duct kit
EDK3	31800019	Exhaust Duct kit
FT308	31800009	Standard Filtration(MERV8)
FT313	31800012	Superior Filtration(MERV13)

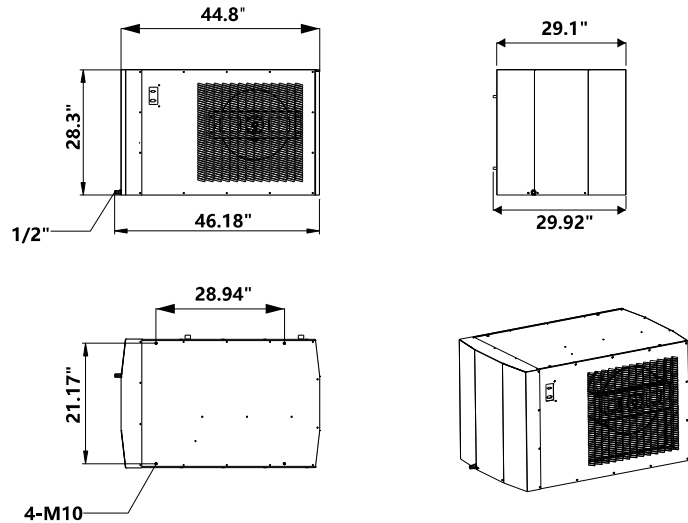
Dehumidifier

Performance Curve Chart

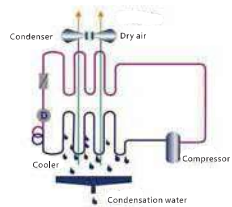
Dehumidification capacity (Pints/Day)



LG 508 Exterior Dimensions



Schematic Diagram of the Structure



LG 508

FEATURES:

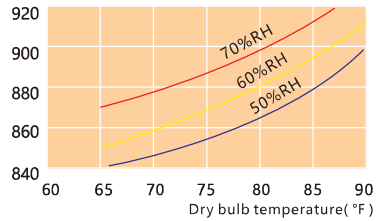
- The LEIZIG 508 efficiently dehumidifies up to 508 pints per day, combining high output with a compact design.
- Filtration technology ensures your crop remains free of harmful microorganisms.
- Minimal noise output—setting new expectations for quiet performance.
- Features RS485 (MODBUS) compatibility and a remote dry contact, connecting easily to your preferred humidity control system.
- Available for installation as hoisted, wall-mount, ceiling, or floor cabinet—fitting any setup.

Model No.	LG 508	
Factory ID No.	31000007	
Dimensions (WxHxL) (inch)	44.8x28.3x29.1	
Package Dimensions(WxHxL)(inch)	48.1x36.3x33.5	
Technical parameter	LG 508	
Capacity (Pints/Day)	508	
Efficiency (Pints/kWh)	6.8	
Refrigerant	R410A	
Operating Temp (°F)	56-95	
Drain Connection	3/4 Threaded NPT	
Air Filter	MERV-8/13 ; 31.8 x 22.3 x 1	
Blower (Tested with duct collars on)	1500CFM@0.0*WG	
Heat Load (BTU/H)	15200	
Energy Factor (L/kwh)	3.2	
Electrical parameters	LG 508	
Supply Voltage (V)	208-230VAC/1PH 60HZ	
Power (W)	3150	
Current Draw (A)	15.1	
Other Specifications	LG 508	
Weight (lb)	450	
Weight (With Packaging) (lb)	558	
Maximum Noise (dB(A))	73	
Installation method	Ceiling-suspended or Bottom fixed	
Component Material	Galvanized steel/powder electroplated paint (stainless steel housing optional)	
Safety parameters	In accordance with DIN 31001	
Protection level	IP23	
Surface color	RAL7035 (light grey) +RAL1033 (Orange), other colors on request	
Certification	CE//UL/ETL	
Accessories		
Type	ID NO.	Description
IDK4	31800020	Intake Duct kit
EDK4	31800021	Exhaust Duct kit
FT408	31800010	Standard Filtration(MERV8)
FT413	31800013	Superior Filtration(MERV13)

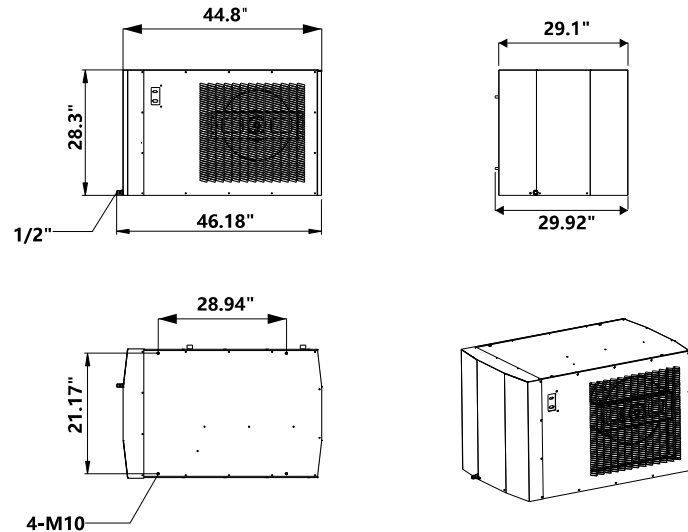
Dehumidifier

Performance Curve Chart

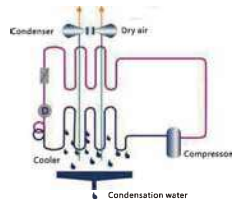
Dehumidification capacity (Pints/Day)



LG 880 Exterior Dimensions



Schematic Diagram of the Structure



LG 880

FEATURES:

- Boasting a capacity of 880 pints/day, the LEIZIG 880 is compact yet engineered for demanding dehumidification.
- Its efficient filtration system protects plants from dangerous microbes.
- Enjoy quiet operation, raising the bar for industry noise standards.
- Includes both remote dry contact input and RS485 (MODBUS) interface for simple integration with control solutions.
- Install with your choice of hoisting, ceiling, wall, or floor cabinet configuration.

Model No.	LG880	
Factory ID No.	31000016	
Dimensions (WxHxL) (inch)	44.8x28.3x29.1	
Package Dimensions(WxHxL)(inch)	48.1x36.3x33.5	
Technical parameter	LG880	
Capacity (Pints/Day)	880	
Efficiency (Pints/kWh)	6.36	
Refrigerant	R410A	
Operating Temp (°F)	56-95	
Drain Connection	3/4 Threaded NPT	
Air Filter	MERV-8/13 ; 31.8 x 22.3 x 1	
Blower (Tested with duct collars on)	2250CFM@0.0"WG	
Heat Load (BTU/H)	22000	
Energy Factor (L/kwh)	3.0	
Electrical parameters	LG880	
Supply Voltage (V)	480VAC/3PH 60HZ	
Power (W)	5765	
Current Draw (A)	8.7	
Other Specifications	LG880	
Weight (lb)	450	
Weight (With Packaging) (lb)	550	
Maximum Noise (dB(A))	80	
Installation method	Ceiling-suspended or Bottom fixed	
Component Material	Galvanized steel/powder electroplated paint (stainless steel housing optional)	
Safety parameters	In accordance with DIN 31001	
Protection level	IP23	
Surface color	RAL7035 (light grey) +RAL1033 (Orange), other colors on request	
Certification	CE//UL/ETL	
Accessories		
Type	ID NO.	Description
IDK4	31800020	Intake Duct kit
EDK4	31800021	Exhaust Duct kit
FT408	31800010	Standard Filtration(MERV8)
FT413	31800013	Superior Filtration(MERV13)